

MERLIN
2019



2019 Chassis Line-Up

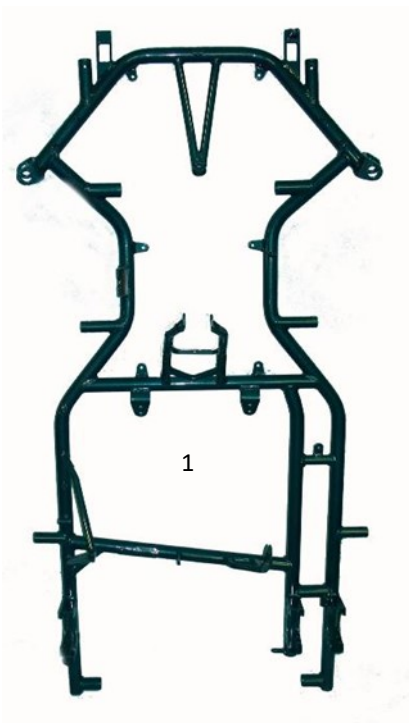
Merlin Cadet 950 **\$3095**

Merlin MR29 KF **\$4795**

Merlin MR32 Quattro **\$3395**

Merlin LM30 **\$4795**

Merlin LM30 KZ **\$5795**



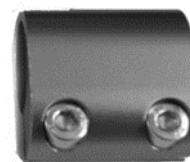
1	MRC.10.680.LM	Merlin LM30 Bare Chassis	\$1795.00
2	MRC.10.680/29	Merlin MR29 Bare Chassis	\$1695.00
3	MRC.10.680.95	Merlin Cadet 950 Bare Chassis	\$1495.00



1

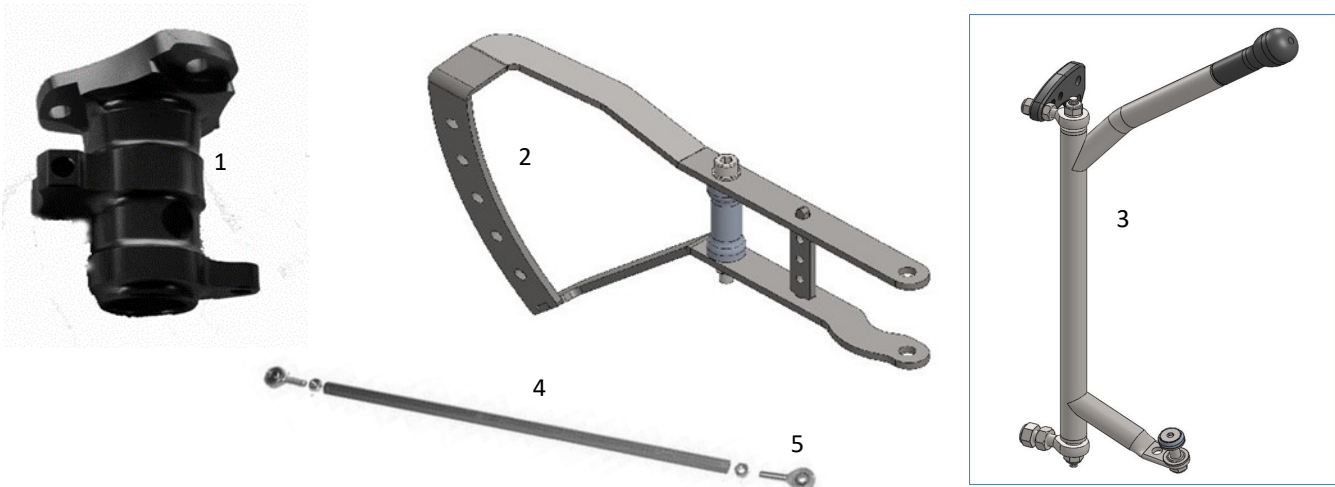


2



3

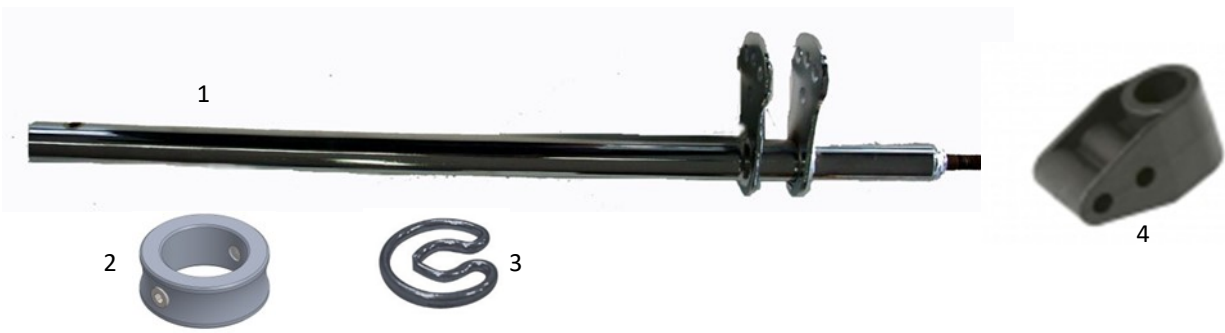
1	MRC.10BT30SC/C	Merlin 2019 LM30 Laser Cut Torsion Bar 30 x 285	\$118.95
2	MRC.10BT30PL	Merlin Teflon Torsion Bar 30 x 310	\$82.95
3	MRC.20.4524.10	Merlin Torsion Bar Clamp	\$13.95



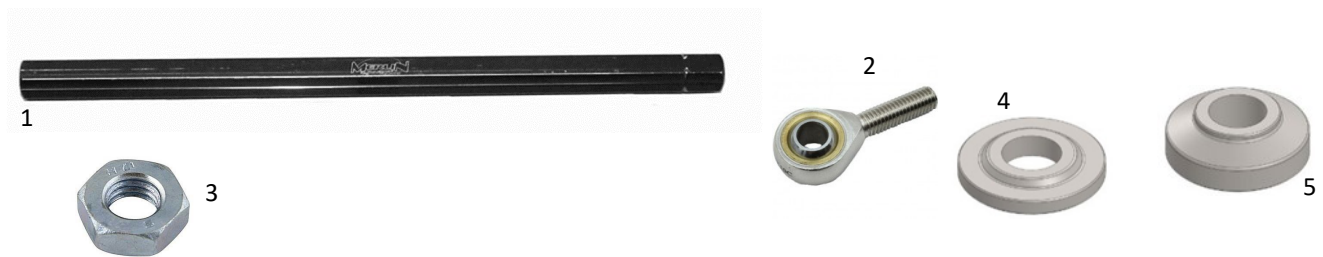
1	MRC.20.0311.LM/I	Merlin Inclined KZ Steering Hub W/ Lever Mount	\$80.42
2	MRC.30FRZL1/B	Merlin KZ Clutch Control Lever	\$58.26
3	MRC.30CMBR08	Merlin Complete KZ Gear Lever	\$144.95
	MRC.10CMBR08	Merlin Bare KZ Gear Lever	\$79.53
	MRC.10CMBPR	Merlin Gear Lever Knob	\$22.16
	MRC.20.1563.LM	Merlin Adjustable Gear Lever Support	\$35.38
4	MRC.20.1791.10	Merlin KZ Shift Tube	\$22.16
5	BEA-REL-8	Merlin Left Hand 8mm Rod End	\$11.95
5	BEA-RER-8	Merlin Right Hand 8mm Rod End	\$11.95
	HAR-N8	Merlin Right Hand Rod End Jam Nut	\$0.40
	HAR-N8LH	Merlin Left Hand Rod End Jam Nut	\$0.50



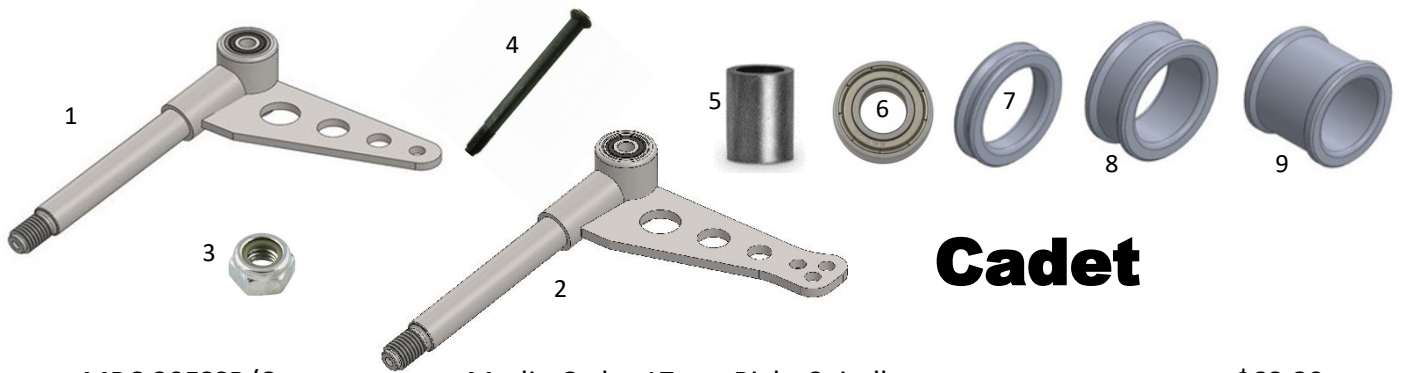
1	MRC.5300.00MRCF1	Merlin F1 Steering Wheel	\$184.95
2	MRC.AAI-22	Merlin Steering Column Bearing Cir Clip	\$0.95
3	BEA-UB-8	Merlin Steering Column Bearing 8mm	\$15.95
4	MRC.20.0237MRC/I	Merlin Inclined Steering Hub	\$68.45



1	MRC.10PS490	Merlin 490mm Steering Column LM30	\$45.95
1	MRC.10PS470	Merlin 470mm Steering Column MR29	\$45.95
1	MRC.10.1943.AP	Merlin 420mm Cadet Steering Column	\$13.95
2	MRC.20.0261.10	Merlin Steering Column Collar	\$7.15
3	DRI-SSCP6	Driveline 6mm Safety Cir Clip	\$1.00
4	MRC.20SUP2B	Merlin Nylon Steering Column Support 2 Position	\$8.50
	DRI-SCS-20	Driveline Steering Column Support W/ Bearing	\$39.95



1	DRI-TR-225	Merlin/Driveline 225mm Tie Rod	\$15.25
1	DRI-TR-230	Merlin/Driveline 230mm Tie Rod	\$15.25
1	DRI-TR-240	Merlin/Driveline 240mm Tie Rod	\$15.25
1	DRI-TR-250	Merlin/Driveline 250mm Tie Rod	\$15.25
1	DRI-TR-255	Merlin/Driveline 255mm Tie Rod	\$15.25
1	DRI-TR-260	Merlin/Driveline 260mm Tie Rod	\$15.25
1	DRI-TR-265	Merlin/Driveline 265mm Tie Rod	\$15.25
1	DRI-TR-270	Merlin/Driveline 270mm Tie Rod	\$15.25
2	BEA-REL-8	Merlin Left Hand 8mm Rod End	\$11.95
2	BEA-RER-8	Merlin Right Hand 8mm Rod End	\$11.95
3	HAR-N8	Merlin Right Hand Rod End Jam Nut	\$0.40
3	HAR-N8LH	Merlin Left Hand Rod End Jam Nut	\$0.50
4	MRC.20DBR08	Merlin 3mm Rod End Spacer	\$3.40
5	MRC.10RSF05	Merlin 5mm Tall Rod End Spacer	\$2.32



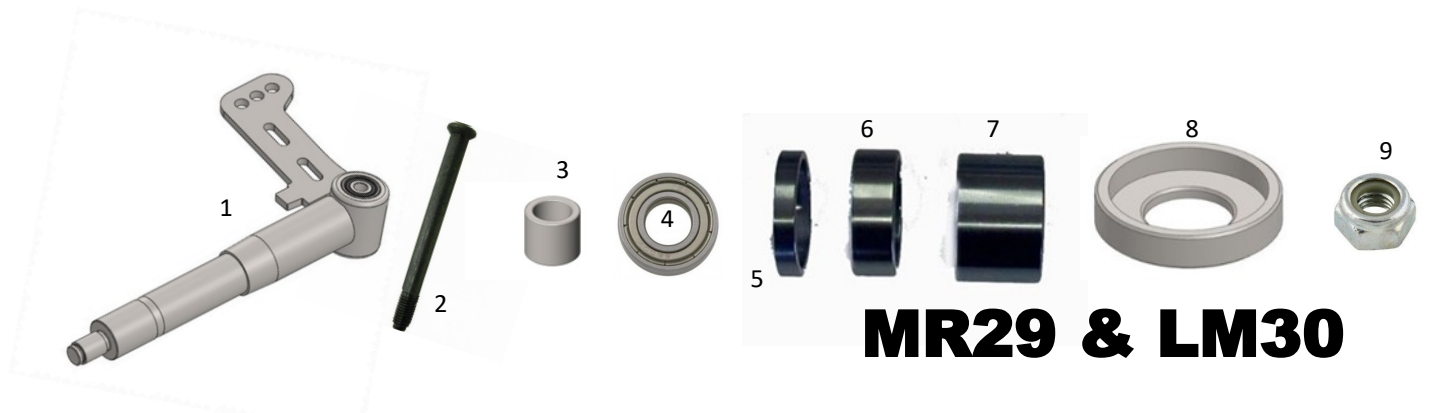
Cadet

1	MRC.30FSSR/C	Merlin Cadet 17mm Right Spindle	\$68.80
1	MRC.30FSSL/C	Merlin Cadet 17mm Left Spindle	\$68.80
2	MRC.30FSSL4/C	Merlin Optional Cadet Right Spindle 3 Hole	\$106.95
2	MRC.30FSSR4/C	Merlin Optional Cadet Left Spindle 3 Hole	\$106.95
3	HAR-NLN14	Merlin 14mm Nyloc Spindle Nut	\$1.25
4	MRC.VITEFUS08	Merlin 8mm Hardened King Pin Bolt	\$16.08
5	MRC.20.0199.06	Merlin 24mm Tall Inner Spindle Bushing	\$2.50
6	BEA-SB-8	Merlin 8mm Spindle Bearing	\$3.25
7	DRI-WS17-05	Merlin/Driveline 17mm x 5mm Spacer	\$2.00
8	DRI-WS17-10	Merlin/Driveline 17mm x 5mm Spacer	\$2.00
9	DRI-WS17-15	Merlin/Driveline 17mm x 5mm Spacer	\$2.25



4 Cycle

1	MRC.30FSSR/C	Merlin 4 Cycle 17mm Right Spindle	\$68.80
1	MRC.30FSSL/C	Merlin 4 Cycle 17mm Left Spindle	\$68.80
2	HAR-NLN14	Merlin 14mm Nyloc Spindle Nut	\$1.25
3	MRC.VITEFUS08	Merlin 8mm Hardened King Pin Bolt	\$16.08
4	MRC.20.0199.06	Merlin 24mm Tall Inner Spindle Bushing	\$2.50
5	BEA-SB-8	Merlin 8mm Spindle Bearing	\$3.25
6	DRI-WS17-05	Merlin/Driveline 17mm x 5mm Spacer	\$2.00
7	DRI-WS17-10	Merlin/Driveline 17mm x 5mm Spacer	\$2.00
8	DRI-WS17-15	Merlin/Driveline 17mm x 5mm Spacer	\$2.25



MR29 & LM30

1	MRC.30FMLRMCS2525	Merlin 25mm KF Right Spindle	\$179.95
1	MRC.30FMLLMCS2525	Merlin 25mm KF Left Spindle	\$179.95
2	MRC.VITEFUS08	Merlin 8mm Hardened King Pin Bolt	\$16.08
3	MRC.20.0199.12	Merlin 12mm Tall Inner Spindle Bushing	\$2.32
4	BEA-SB-8	Merlin 8mm Spindle Bearing	\$3.25
5	DRI-WS25-05	Merlin/Driveline 25mm x 5mm Spacer	\$2.50
6	DRI-WS25-10	Merlin/Driveline 25mm x 10mm Spacer	\$2.75
7	DRI-WS25-20	Merlin/Driveline 25mm x 20mm Spacer	\$3.00
8	MRC.10SPFFM	Merlin External 25mm KF Stub Axle Spacer	\$3.75
9	HAR-NLN14	Merlin 14mm Nyloc Spindle Nut	\$1.25

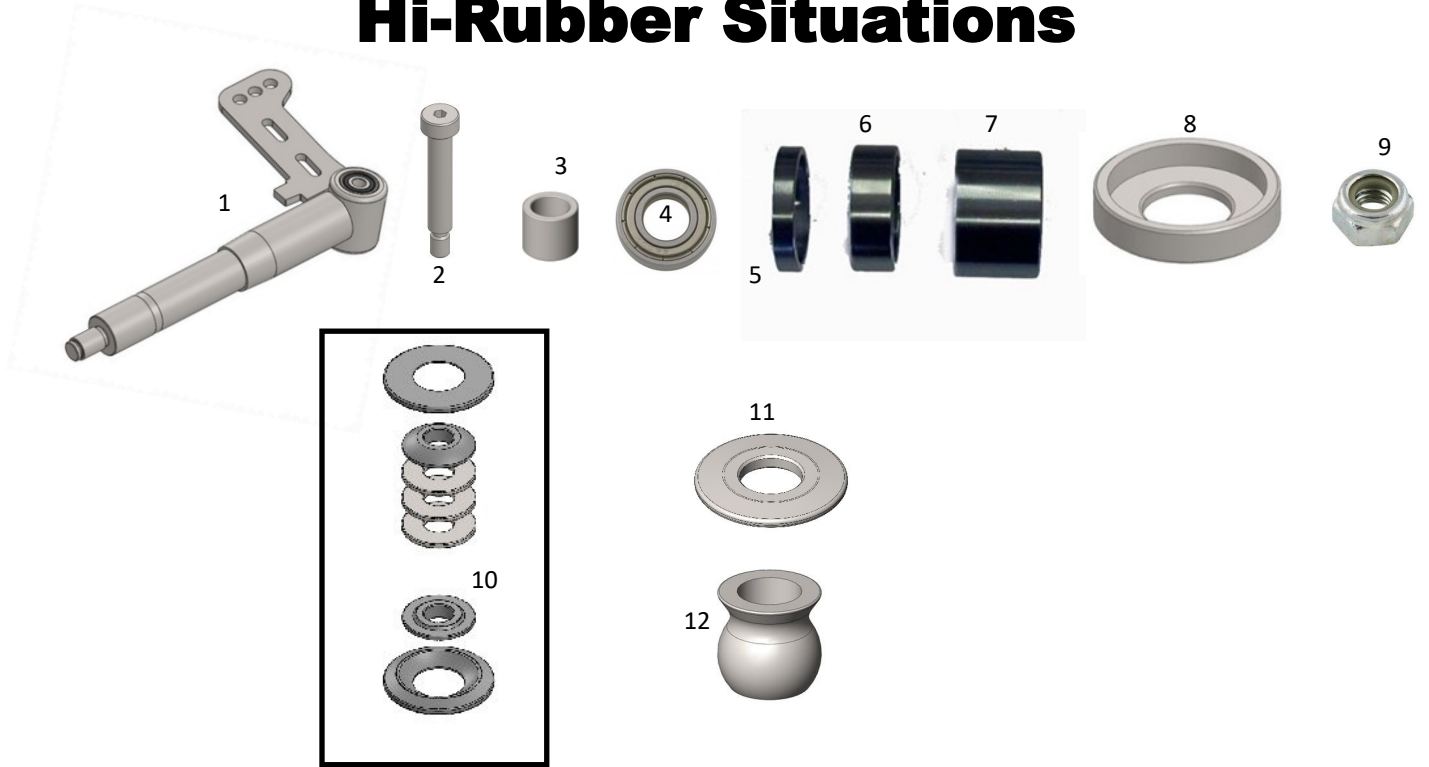


LM30 KZ

1	MRC.30FMLRMCS2517	Merlin 25mm KZ Right Spindle	\$179.95
1	MRC.30FMLLMCS2517	Merlin 25mm KZ Left Spindle	\$179.95
2	MRC.VITEFUS08	Merlin 8mm Hardened King Pin Bolt	\$16.08
3	MRC.20.0199.12	Merlin 12mm Tall Inner Spindle Bushing	\$2.32
4	BEA-SB-8	Merlin 8mm Spindle Bearing	\$3.25
5	DRI-WS25-05	Merlin/Driveline 25mm x 5mm Spacer	\$2.50
6	DRI-WS25-10	Merlin/Driveline 25mm x 10mm Spacer	\$2.75
7	DRI-WS25-20	Merlin/Driveline 25mm x 20mm Spacer	\$3.00
8	HAR-NLN14	Merlin 14mm Nyloc Spindle Nut	\$1.25

MR29 & LM30 Optional Spindle

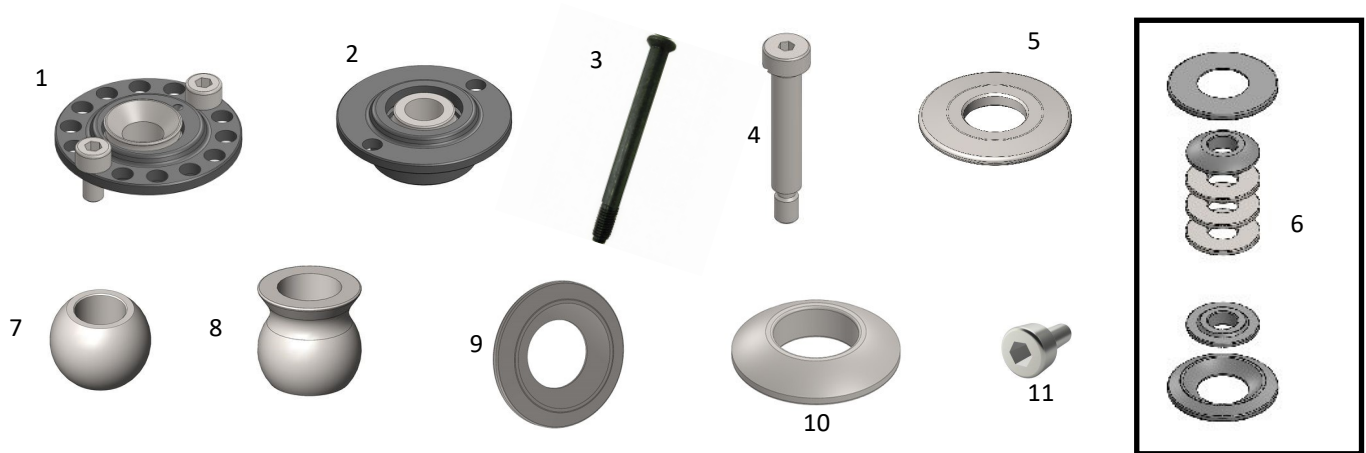
Hi-Rubber Situations



1	MRC.30FMLRC2525C	Merlin 25mm KF Chrome Right Spindle	\$179.95
1	MRC.30FMLLC2525C	Merlin 25mm KF Chrome Left Spindle	\$179.95
2	MRC.20VTF12	Merlin Machined 10mm King Pin Bolt 80mm Long	\$20.95
3	MRC.20.0199.12	Merlin 12mm Tall Inner Spindle Bushing	\$2.32
4	BEA-SB-10	Merlin 10mm Spindle Bearing	\$3.25
5	DRI-WS25-05	Merlin/Driveline 25mm x 5mm Spacer	\$2.50
6	DRI-WS25-10	Merlin/Driveline 25mm x 10mm Spacer	\$2.75
7	DRI-WS25-20	Merlin/Driveline 25mm x 20mm Spacer	\$3.00
8	MRC.10SPFFM	Merlin External 25mm KF Stub Axle Spacer	\$3.75
9	HAR-NLN14	Merlin 14mm Nyloc Spindle Nut	\$1.25
10	MRC.30DBR10A	Merlin Self Centering Spacer Kit For 10mm King Pin	\$39.95
11	MRC.10DBR10A/Z	Merlin 2mm x 10mm Frame Height Spacer	\$3.40
12	MRC.10VTFS10S/Z	Merlin 10mm Lower Eccentric Sphere	\$12.17

2019 Eccentrics & Hardware

Cadet/MR29/LM30/206



1	MRC.30RFESS8	Merlin 3 Degree 18 position Eccentric With 8mm Sphere	\$44.95
2	MRC.30RFESZ8	Merlin Non Adjustable Eccentric With 8mm Sphere	\$44.95
3	MRC.VITEFUS08	Merlin 8mm Hardened King Pin Bolt	\$16.08
4	MRC.20VTF12	Merlin Machined 10mm King Pin Bolt 80mm Long	\$20.95
5	MRC.10DBR08A/Z	Merlin 2mm x 8mm Frame Height Spacer	\$3.40
5	MRC.10DBR10A/Z	Merlin 2mm x 10mm Frame Height Spacer	\$3.40
6	MRC.30DBR10A	Merlin Self Centering Spacer Kit For 10mm King Pin	\$39.95
6	MRC.30DBR08A	Merlin Self Centering Spacer Kit For 8mm King Pin	\$39.95
6	MRC.30DBR08B	Merlin Self Centering Spacer Kit For Cadet 8mm	\$39.95
7	MRC.10VTSFE8A/Z	Merlin Eccentric 8mm Sphere Upper & Lower	\$5.08
8	MRC.10VTF10S/Z	Merlin 10mm Lower Eccentric Sphere	\$12.17
9	MRC.10RBF01/B	Merlin Rounded Washer For Stub Axle Spacer Kit	\$4.68
10	MRC.10BDFE0801/B	Merlin Curved Washer For Stub Axle Spacer Kit 8mm	\$3.04
10	MRC.10BDFE1001/B	Merlin Curved Washer For Stub Axle Spacer Kit 10mm	\$3.04
11	HAR-HCSC4x10	4mm x 10mm Socket Head Cap Screw	\$0.30

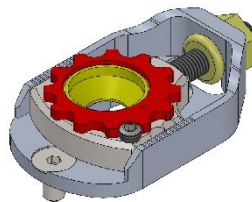
Pre 2019 Eccentric & Hardware



1	MRC.10BESS	Merlin Lower 3 Degree Infinite Adjustment Eccentric	\$21.62
2	MRC.10BESSH	Merlin Upper 3 Degree Infinite Adjustment Eccentric	\$21.62
3	MRC.10BNSI	Merlin Non Adjustable Eccentric	\$21.62
4	MRC.10RFA	Merlin Eccentric Bushing Locking Cap	\$22.95
5	MRC.VITEFUS08	Merlin 8mm Hardened King Pin Bolt	\$16.08
6	MRC.20VTFSFT	Merlin Upper Eccentric Sphere	\$12.15
7	MRC.20VTFSFD	Merlin Lower Eccentric Sphere	\$12.15
8	MRC.20DBR08	Merlin 3mm x 8mm Frame Height Spacer	\$3.40
8	MRC.20.1098.2.5	Merlin 2.25mm x 8mm Frame Height Spacer	\$5.50
8	MRC.20.1098.2.7	Merlin 2.75mm x 8mm Frame Height Spacer	\$5.50
9	HAR-SHCS4x10	4mm x 10mm Socket Head Cap Screw	\$0.30

Optional Eccentric

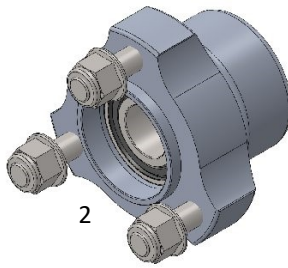
Offers Independent Adjustment



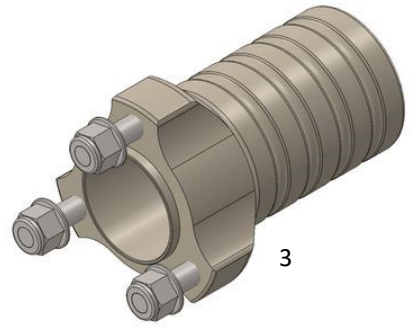
1	MRC.30RFGI8	Merlin EZ Set Caster/Camber Eccentric Set 8mm	\$84.57
1	MRC.30RFGI10	Merlin EZ Set Caster/Camber Eccentric Set 10mm	\$84.57



1

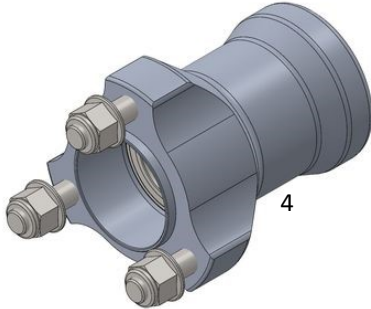


2



3

Front Hubs



4



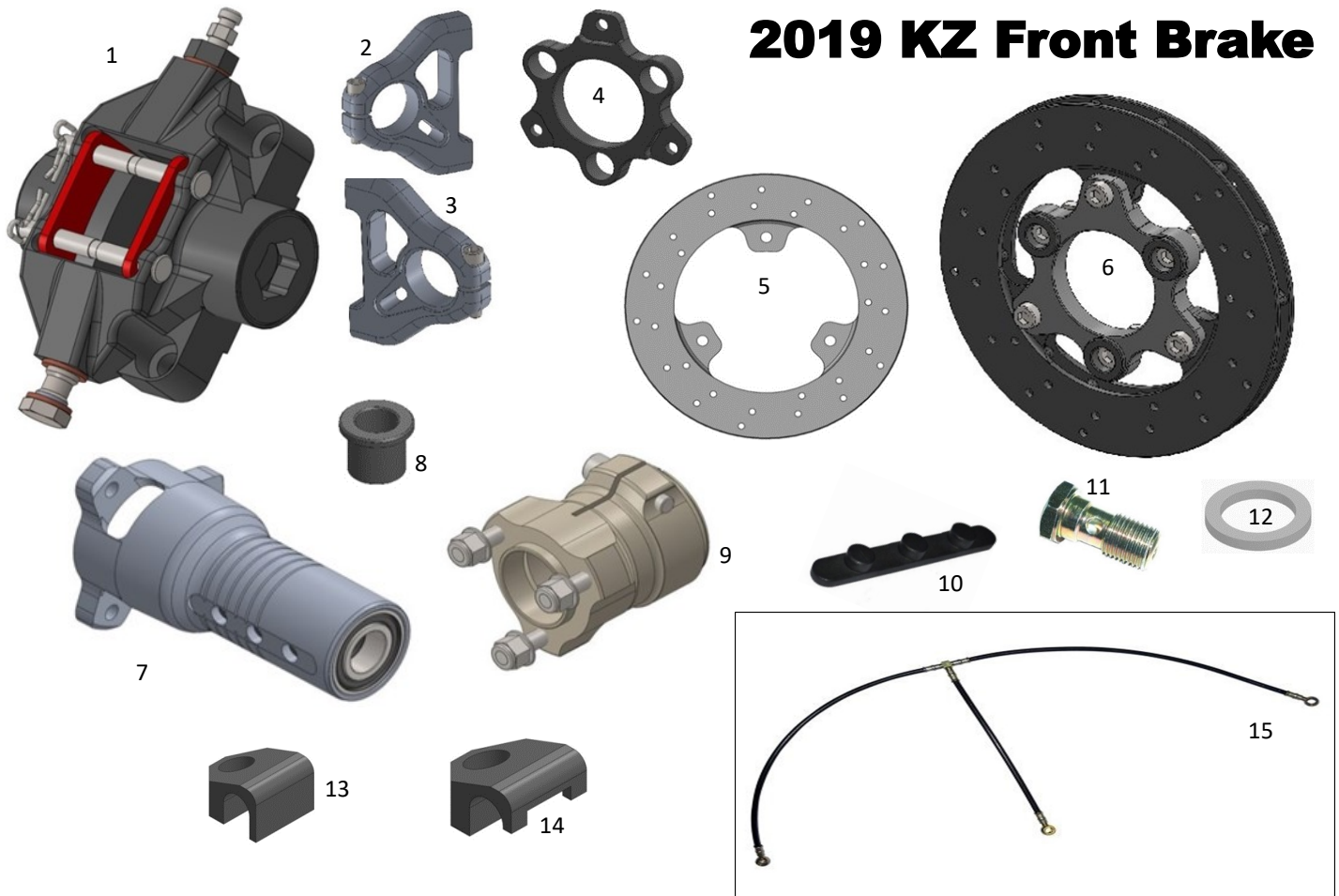
5



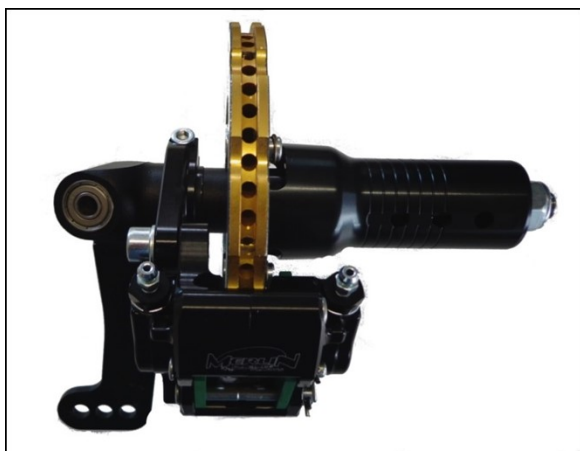
6

1	MRC.30MZM/B	Merlin 17mm x 76mm Front Hub Aluminum	\$74.34
2	DRI-FH17-A-61	Driveline 17mm x 61mm Front Hub Aluminum	\$43.95
3	MRC.30MZF25M83	Merlin 25mm x 83mm Front Hub Magnesium	\$174.95
3	DRI-FH25-M-76	Driveline 25mm x 76mm Front Hub Magnesium	\$79.95
3	DRI-FH25-M-96	Driveline 25mm x 96mm Front Hub Magnesium	\$84.95
3	DRI-FH25-A-76	Driveline 25mm x 76mm Front Aluminum Hub	\$62.95
3	DRI-FH25-A-96	Driveline 25mm x 96mm Front Aluminum Hub	\$74.95
4	MRC.30MZF25I58/B	Merlin 25mm Front Hub Aluminum	\$129.95
5	BEA-WB-17	17mm Front hub Bearing	\$4.25
5	MRC.25.CUSC.A	Merlin 25mm Small OD Front Hub Bearing	\$5.50
5	MRC.25.CUSC	Merlin 25mm Large OD Front Hub Bearing	\$6.95
6	MRC.CCP-WS-8	Merlin 8mm Wheel Hub Stud	\$2.25

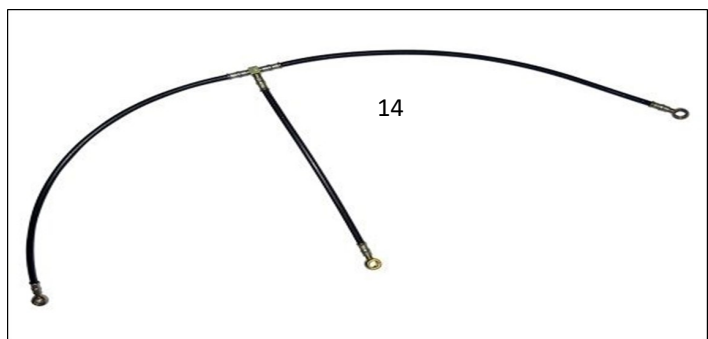
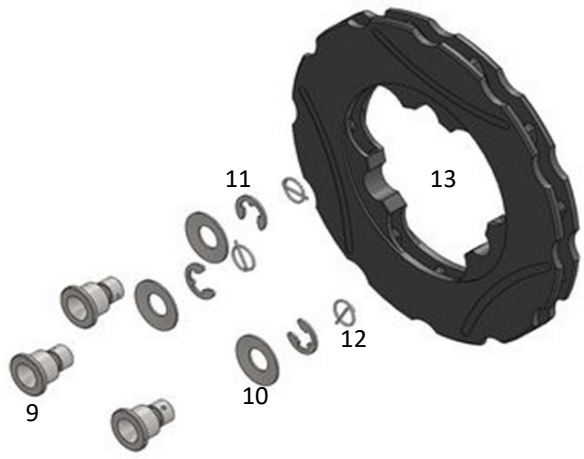
2019 KZ Front Brake



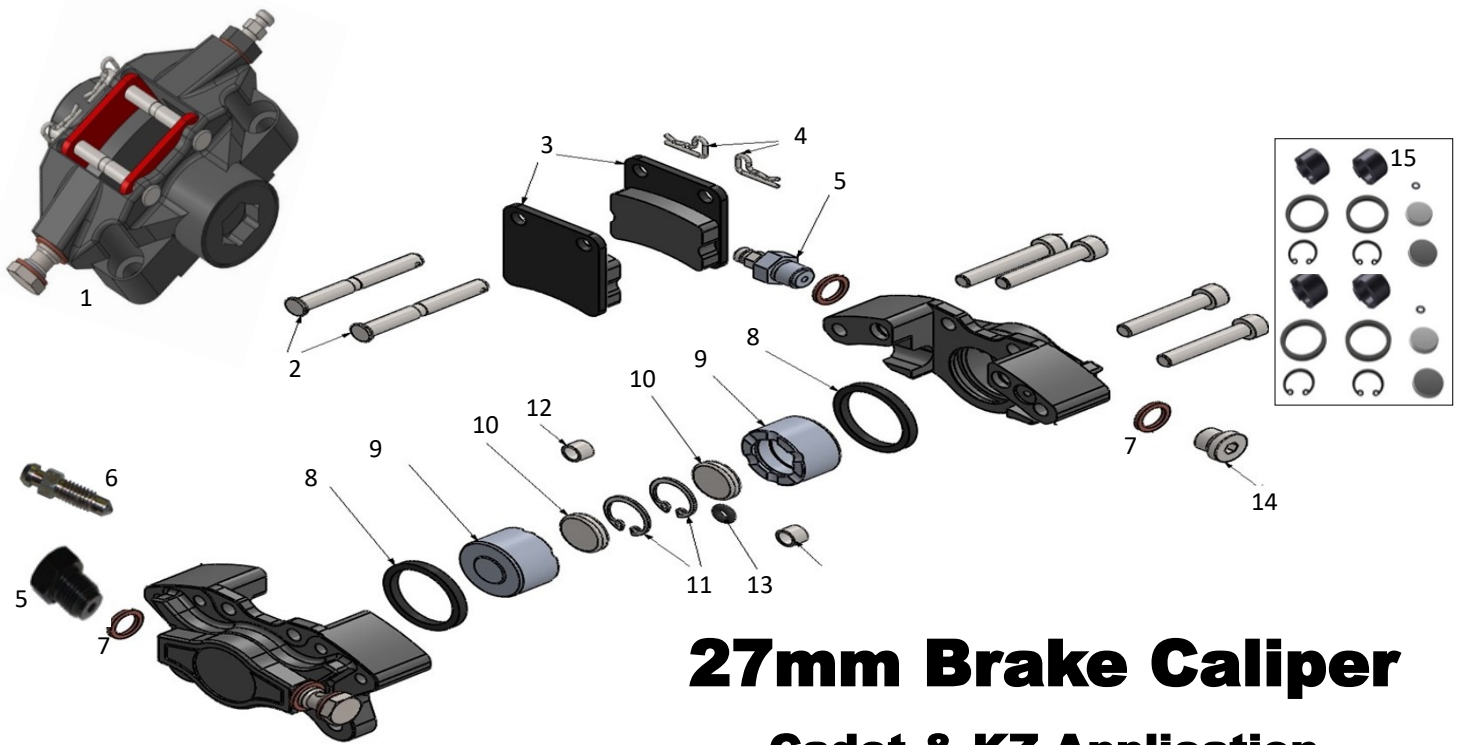
1	MRC.30PZIFAP06	Merlin Front Brake Caliper 2019	\$319.95
2	MRC.30SPAPF6BR	Merlin Right KZ Brake Caliper Mount	\$79.95
3	MRC.30SPAPF6BL	Merlin Left KZ Brake Caliper Mount	\$79.95
4	MRC.10SPFFR02	Merlin KZ Front Brake Disc Fixing Plate	\$47.95
5	MRC.20DA150	Merlin 150mm KZ Brake Disc Bare	\$159.95
6	MRC.30DA150A	Merlin 150mm KZ Brake Disc & Plate Assembly	\$239.95
7	MRC.30CF1725/40	Merlin KZ Front Brake Disc Hub	\$99.95
8	MRC.10BDF03	Merlin KZ Front Brake Disc Floating Bushing	\$8.95
9	MRC.30MZ40M1G	Merlin 40mm x 70mm Magnesium Hub	\$99.95
10	MRC.20.4549/3	Merlin Axle Key W/ 3 8mm Pegs	\$8.94
11	MRC.20BLPN	Merlin Brake Pipe Fixing Bolt	\$7.51
12	MRC.20RAPN	Merlin Brake Pipe Fixing Bolt Washer	\$1.61
13	MRC.20FTF	Merlin Front Brake Pipe Stop	\$6.79
14	MRC.20FTF1	Merlin Front Brake Pipe Fitting Stop	\$6.79
15	MRC.30TSFA04	Merlin KZ Front Brake Pipe Set	\$124.95



Pre 2019 KZ Front Brake



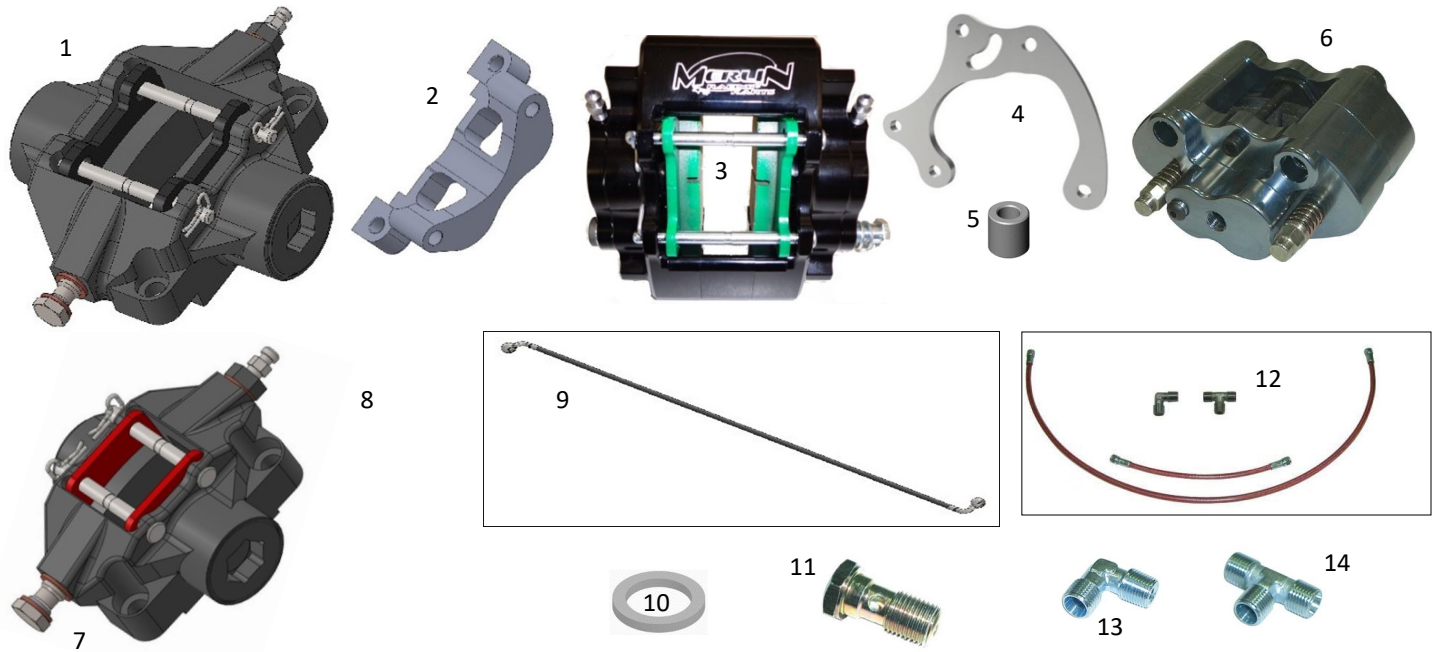
1	MRC.30CF1725/40	Merlin Pre 2019 Steel Front Brake Disc Support	\$99.95
2	MRC.30SPAPDX/B	Merlin Right KZ Front Brake Caliper Support	\$76.95
2	MRC.30SPAPSX/B	Merlin Left KZ Front Brake Caliper Support	\$76.95
3	MRC.20.4549/3	Merlin Axle Key W/ 3 8mm Pegs	\$8.94
4	MRC.30MZ40SE/B	Merlin 40mm x 65mm Aluminum Hub	\$64.69
5	MRC.20BLPN	Merlin Brake Pipe Fixing Bolt	\$7.51
6	MRC.20RAPN	Merlin Brake Pipe Fixing Bolt Washer	\$1.61
7	MRC.20FTF	Merlin Front Brake Pipe Stop	\$6.79
8	MRC.20FTF1	Merlin Front Brake Pipe Fitting Stop	\$6.79
9	MRC.10BD14	Merlin 149 x 12 Disc Floating Bushing	\$5.90
10	MRC.20RTZ08	Merlin 149 x 12 Disc Spring Washer	\$2.50
11	MRC.20SEG10	Merlin 149 x 12 Disc E-Clip	\$1.25
12	MRC.20FRMDIF	Merlin Floating Brake Disc Safety Clip	\$3.22
13	MRC.20DA149	Merlin 149 x 12 Floating Brake Disc	\$139.95
14	MRC.30TSFA04	Merlin KZ Front Brake Pipe Set	\$124.95



27mm Brake Caliper

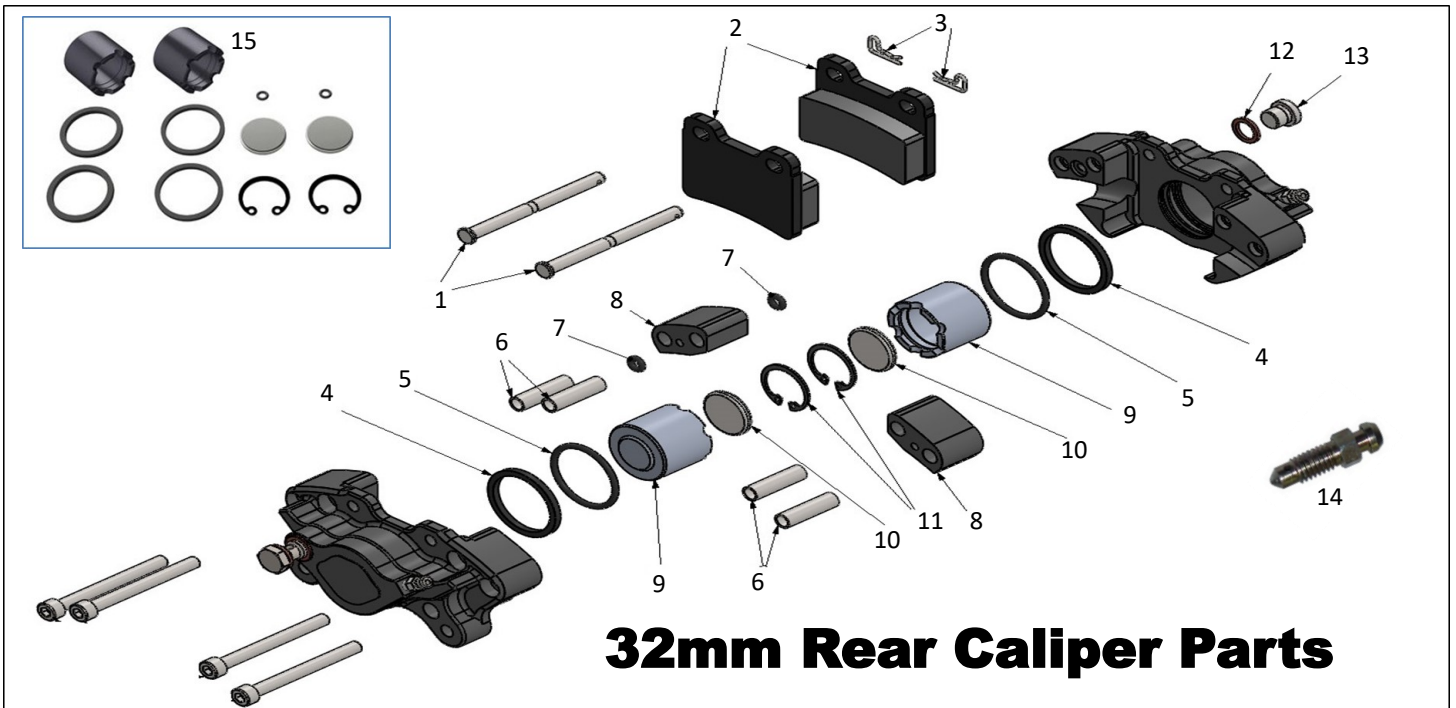
Cadet & KZ Application

1	MRC.30PZIFAP06	Merlin KZ Front/Cadet Rear Brake Caliper 2019	\$319.95
2	MRC.10VPF6AP1	Merlin 27mm Brake Caliper Pad Pin	\$8.95
3	MRC.20PSFAS	Merlin 27mm Red Brake Pad	\$23.95
3	MRC.20PSFAM	Merlin 27mm Black Brake Pad	\$23.95
4	MRC.20CP01	Merlin Brake Pad Pin Clip	\$1.43
5	MRC.10VSPAP01	Merlin Support Fitting For Bleeder Screw	\$4.11
6	MRC.20GSPA	Merlin Bleeder Screw	\$6.43
7	MRC.20RAPN	Merlin Brake Fitting Washer	\$1.50
8	MRC.20GMA27	Merlin 27mm Brake Caliper Seal	\$14.95
9	MRC.10PS27B/B	Merlin 27mm Brake Caliper Piston	\$19.66
10	MRC.20MG18	Merlin 27mm Brake Caliper Piston Magnet 18 x 5	\$19.95
11	MRC.20SGR18	Merlin 27mm Brake Caliper Piston Magnet Seeger 18mm	\$0.89
12	MRC.10BCAP02	Merlin 27mm Split Caliper Centering Bushing	\$4.47
13	MRC.20ORPNF	Merlin 27mm Brake Caliper Half O-Ring	\$0.89
14	MRC.20TPPMP	Merlin Brake Caliper Fitting Plug	\$2.86
15	MRC.30RPIAA01	Merlin KZ Front Brake Re-Build Kit	\$129.95



Rear Brake Calipers & Pipes

1	MRC.30PZIAP06	Merlin 2019 Complete 32mm Brake Caliper	\$524.95
2	MRC.10SPAPR6A/B	Merlin 2019 32mm Brake Caliper Mount	\$119.95
3	MRC.30PZIAP12	Merlin Pre 2019 32mm Brake Caliper For 12mm Disc	\$441.95
3	MRC.30PZIAP01	Merlin Pre 2019 32mm Brake Caliper For 18mm Disc	\$441.95
4	MRC.20SPAP01	Merlin Pre 2019 32mm Brake Caliper Support	\$39.95
5	MRC.10DPAP01	Merlin 32mm Brake Caliper Support Spacer	\$5.00
6	MRC.30PZIRE12/B	Merlin 4 Cycle Rear Brake Caliper For 12mm Disc	\$274.86
7	MRC.30PZIFAP06	Merlin Cadet Rear Brake Caliper 2019	\$319.95
8	MRC.	Merlin Cadet Rear Brake Caliper Mount	\$
9	MRC.20TFAP6R	Merlin Rear Brake Pipe Set	\$68.45
10	MRC.20RAPN	Merlin Brake Pipe Fixing Bolt Washer	\$1.61
11	MRC.20BLPN	Merlin Brake Pipe Fixing Bolt	\$7.51
12	MRC.30TFSRHR	Merlin 4 Cycle Brake Pipe Set	\$79.95
13	MRC.20YPNFL	Merlin Brake Pipe "L" Fitting	\$5.54
14	MRC.20YPNFT	Merlin Brake Pipe "T" Fitting	\$9.47



1	MRC.10VP6AP1	Merlin 32mm Caliper Pad Fixing Pin	\$9.83
2	MRC.20PSR01	Merlin 32mm Brake Pad—Black	\$38.95
3	MRC.20CP01	Merlin Brake Pad Pin Clip	\$1.43
4	MRC.20GMA32	Merlin 32mm Brake Seal	\$8.95
5	MRC.20GC32	Merlin 32mm Brake Dust O-Ring	\$8.95
6	MRC.10BCAP01	Merlin 32mm Rear Caliper Bushing Pre 2019	\$4.47
7	MRC.20ORPNF1	Merlin 32mm Brake Caliper O-Ring	\$0.89
8	MRC.20SGR32	Merlin 32mm Brake Caliper Spacer Pre 2019	\$19.66
9	MRC.10PSF32	Merlin 32mm Brake Caliper Piston	\$19.66
10	MRC.20MG24	Merlin 32mm Brake Caliper Piston Magnet 24.5x3.5	\$21.95
11	MRC.20SGR32	Merlin 32mm Brake Caliper Piston Magnet Seeger	\$0.89
12	MRC.20RAPN	Merlin Brake Fitting Washer	\$1.50
13	MRC.20TPPMP	Merlin Brake Fitting Plug	\$2.86
14	MRC.20GSPA	Merlin Bleeder Screw	\$6.43
15	MRC.30RPIPA01	Merlin 32mm Caliper Re-Build Kit	\$79.95

4 Cycle Rear Brake Caliper Parts



1



10

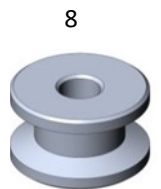
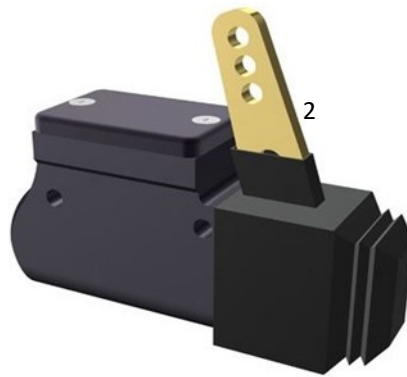


11

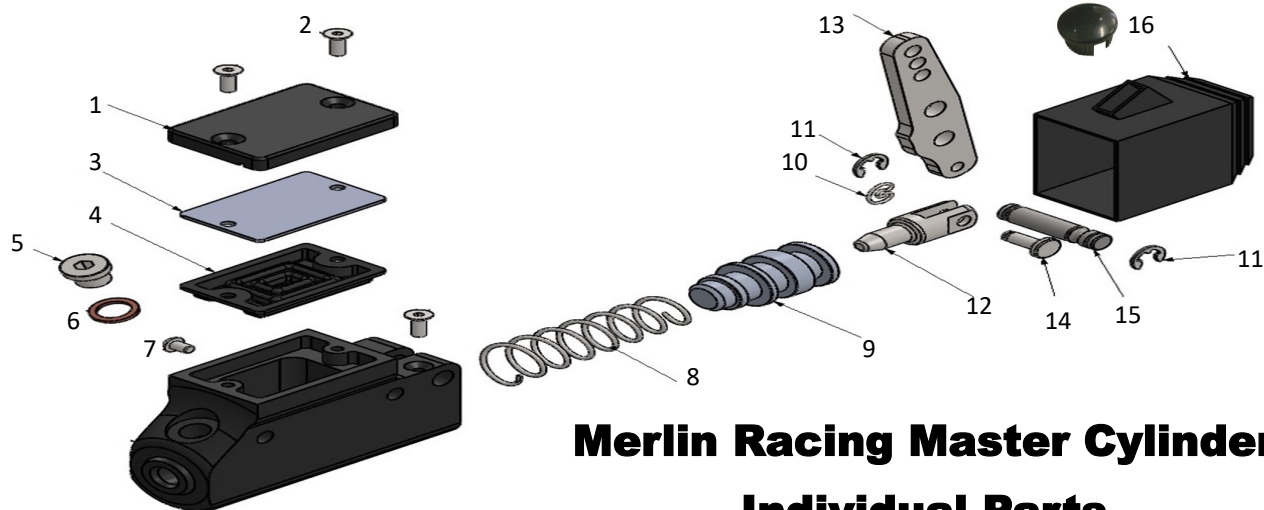


1	MRC.30PZIRE12/B	Merlin 4 Cycle Rear Brake Caliper For 12mm Disc	\$274.86
2	MRC.20R05A	Merlin 4 Cycle M5 Alloy Washer	\$0.50
3	MRC.20VSPR	Merlin 4 Cycle 5 x 8 Bleed Screw	\$0.77
4	MRC.20VPSR/Z	Merlin 4 Cycle Brake Pad Bolt	\$5.72
5	MRC.20MPSR	Merlin 4 Cycle Brake Pad Spring	\$2.86
6	MRC.20GME19	Merlin 4 Cycle Brake Caliper 19mm Piston Seal	\$5.75
7	MRC.20GME22	Merlin 4 Cycle Brake Caliper 22mm Piston Seal	\$5.75
8	MRC.10PS19	Merlin 4 Cycle Brake Caliper 19mm Piston	\$10.37
9	MRC.10PS22	Merlin 4 Cycle Brake Caliper 22mm Piston	\$10.90
10	MRC.20PSRB	Merlin 4 Cycle Brake Pad	\$23.95
11	MRC.30RPIP	Merlin 4 Cycle Brake Caliper Re-Build Kit	\$84.95

Master Cylinder & Re-Build Kits



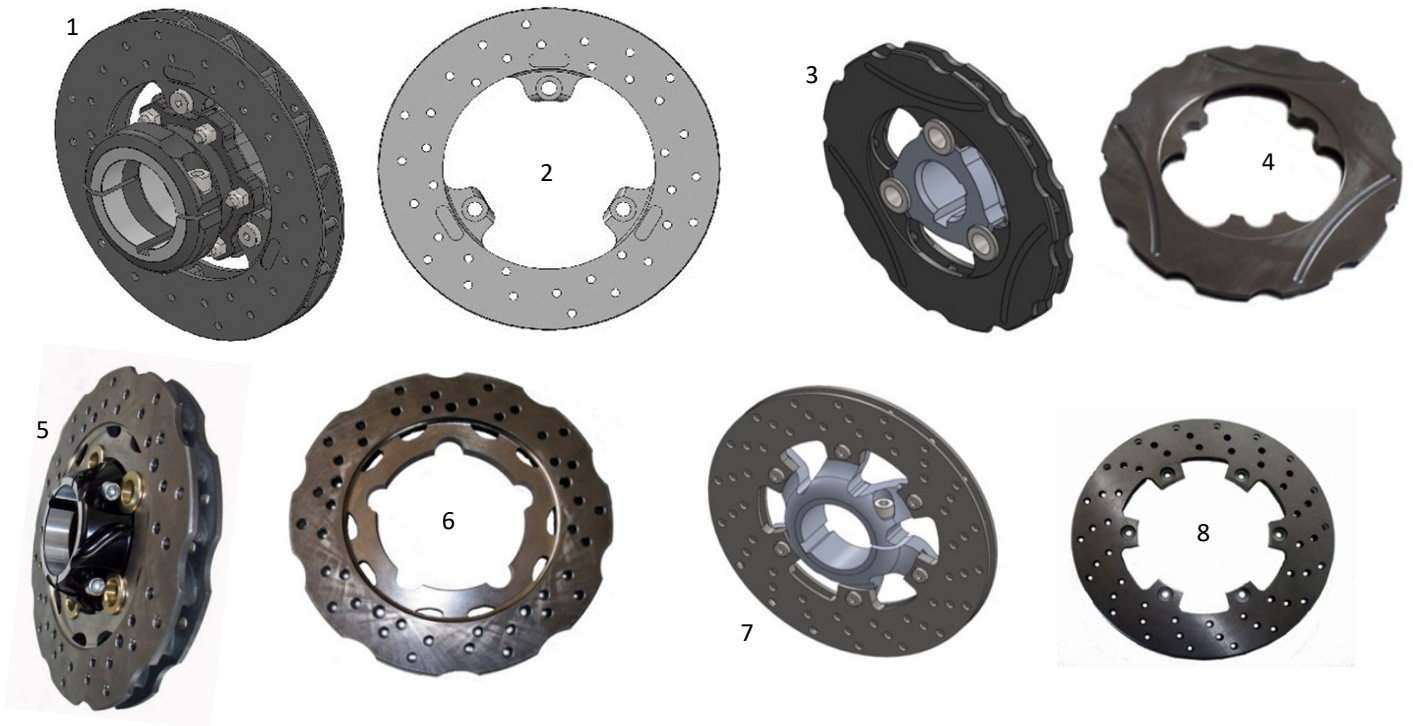
1	MRC.30PMPA2	Merlin Cadet 19mm Complete Master Cylinder	\$249.95
1	MRC.30PMPA	Merlin 22mm Master Cylinder Complete	\$249.95
2	MRC.30PMPA1	Merlin 22mm Large Volume Master Cylinder Complete	\$249.95
3	MRC.30PMPE/B	Merlin 4 Cycle Master Cylinder Complete	\$99.95
4	MRC.30RPFA02	Merlin Cadet 19mm Master Cylinder Re-Build Kit	\$44.95
5	MRC.30RPFA	Merlin 22mm Master Cylinder Re-Build Kit	\$44.95
6	MRC.30RPFA01	Merlin 22mm Large Volume Master Cylinder Re-Build Kit	\$44.95
7	MRC.30RPF	Merlin 4 Cycle Master Cylinder Re-Build Kit	\$25.95
8	MRC.10SAPP	Merlin Master Cylinder Mount Spacer	\$2.25



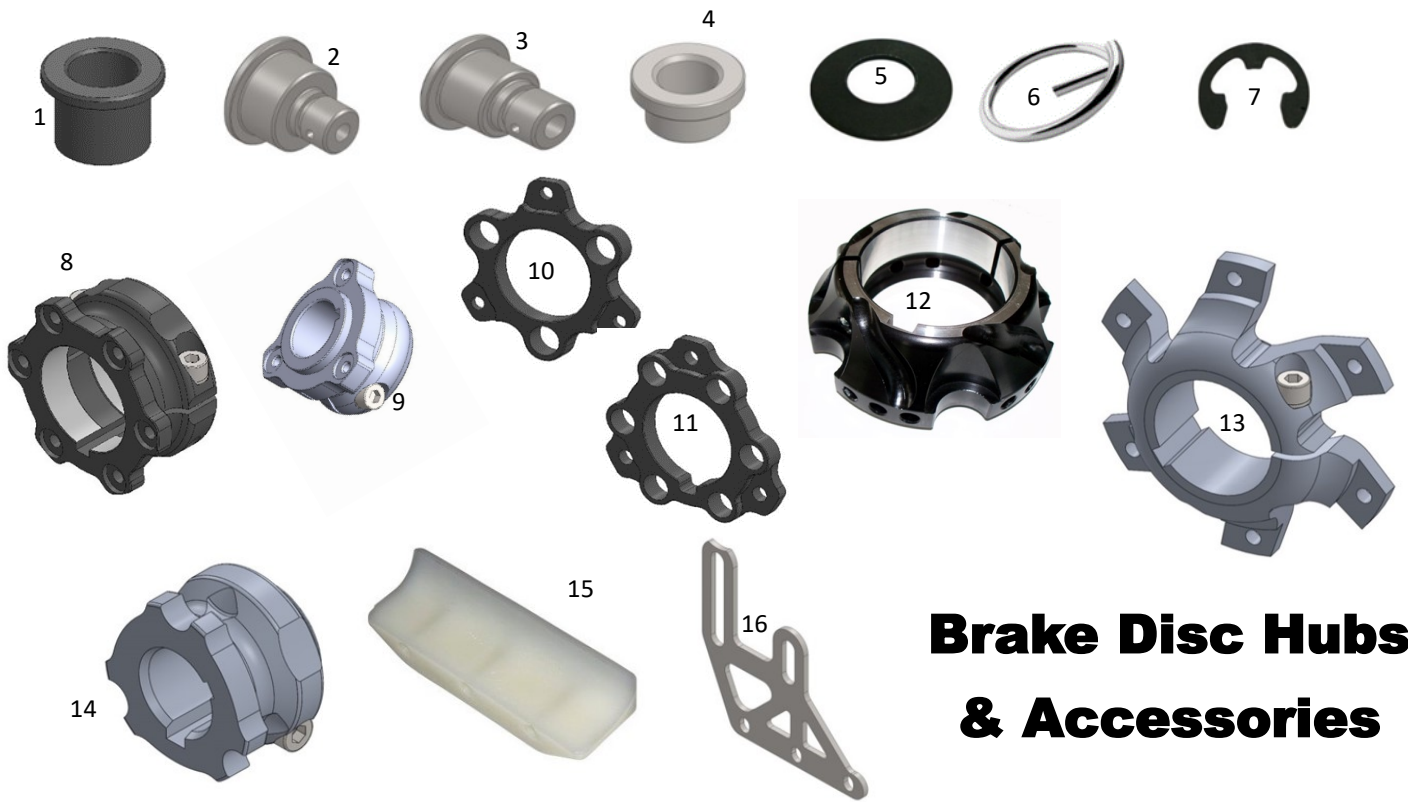
Merlin Racing Master Cylinder Individual Parts

1	MRC.20CPPMA2	Merlin Aluminum Large Volume Master Cylinder Cover	\$21.62
1	MRC.20CPPMA	Merlin Aluminum Master Cylinder Cover	\$20.02
2	MRC.20VS04012	Merlin Master Cylinder Cover Screw	\$0.63
3	MRC.20CPGPMA	Merlin Large Volume Master Cylinder Plastic Cover	\$11.79
3	MRC.30RPFA02	Merlin Master Cylinder Plastic Cover	\$11.79
4	MRC.20GPMA2	Merlin Large Volume Master Cylinder Pump Bellow	\$16.62
4	MRC.20GPMA	Merlin Master Cylinder Pump Bellow	\$25.02
5	MRC.20TPPMP	Merlin Brake Fitting Plug	\$2.86
6	MRC.20RAPN	Merlin Brake Fitting Washer	\$1.50
7	MRC.20VPPA	Merlin Master Cylinder Piston Locking Bolt 4 x 6	\$0.63
8	MRC.230MPF	Merlin Master Cylinder Spring	\$8.76
9	MRC.10PSP22B	Merlin 22mm Large Volume Master Cylinder Piston	\$26.81
9	MRC.10PS19	Merlin 19mm Cadet Master Cylinder Piston	\$14.95
9	MRC.10PSP22A	Merlin 22mm Master Cylinder Piston	\$26.63
10	DRI-SSCP6	Driveline 6mm Safety Cir Clip	\$1.00
11	MRC.20SGRPL	Merlin Brake Lever Seeger	\$0.65
12	MRC.20FRCAFL	Merlin mini Fork For Master Cylinder	\$11.08
13	MRC.20LVPMA/2	Merlin Large Volume Master Cylinder Lever	\$25.91
13	MRC.20LVPMP/2	Merlin Master Cylinder Lever	\$23.59
14	MRC.20PRPMP	Merlin Large Volume Master Cylinder Security Pin	\$1.25
15	MRC.10SPN836	Merlin Large Volume Master Cylinder Lever Pin 8 x 36	\$5.90
15	MRC.20SPN520	Merlin Master Cylinder Lever Pin 5 x 20	\$1.61
16	MRC.20CFE	Merlin Large Volume Master Cylinder Dust Cover	\$12.95
16	MRC.20CFA	Merlin Master Cylinder Dust Plug	\$7.77

Brake Discs & Disc/Hub Assemblies



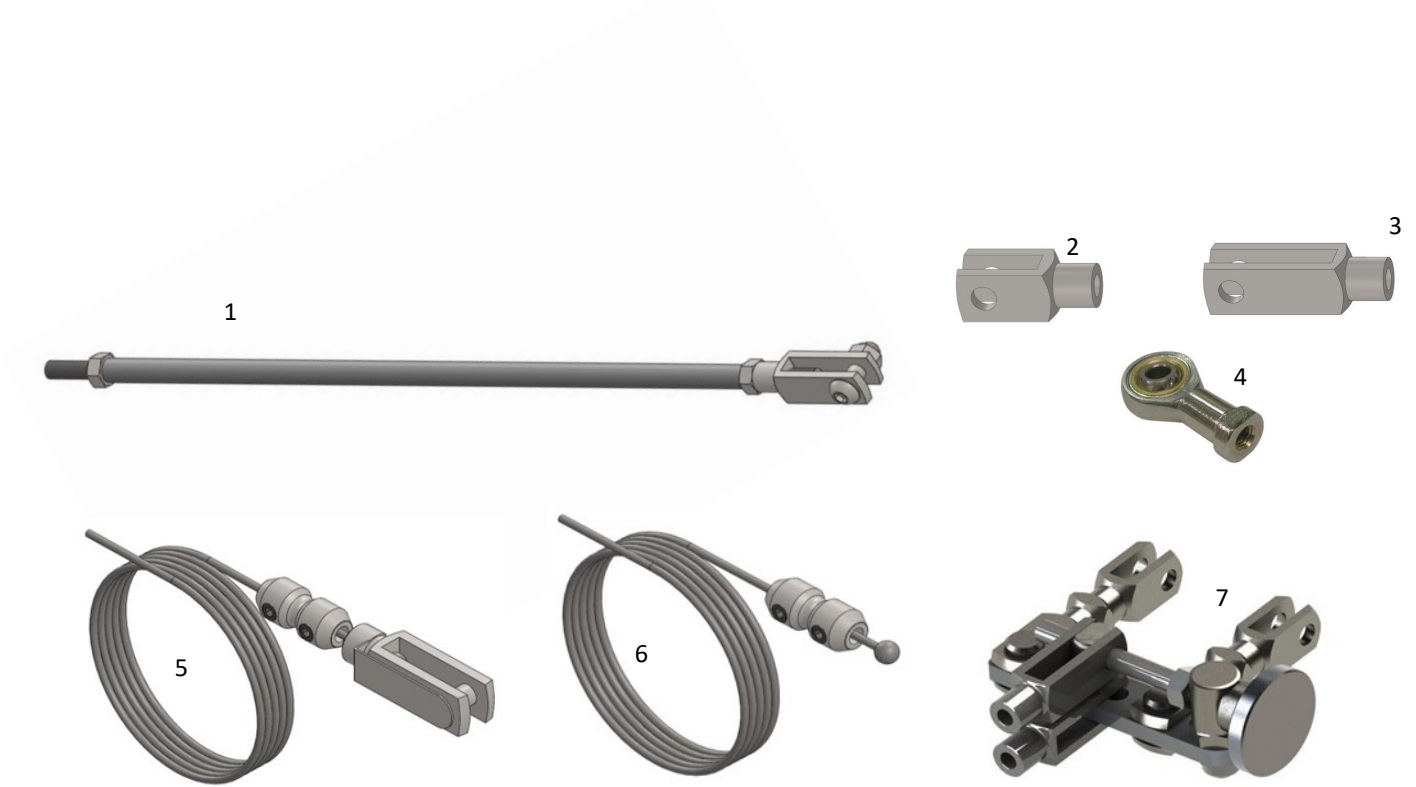
1	MRC.30DA180A	Merlin 180mm x 17.5mm Brake Disc /Hub Assembly 50mm	\$539.95
1	MRC.30PD30FFSAC/B	Merlin 150mm x 13mm Brake Disc/Hub Assembly 30mm	\$229.30
2	MRC.20DA180	Merlin 180mm x 17.5mm Brake Disc	\$249.95
2	MRC.20DA150	Merlin 150mm x 13mm Brake Disc	\$159.95
3	MRC.30DA149M	Merlin 149mm x 12mm Brake Disc/Hub Assembly 30mm	\$249.95
4	MRC.20DA149	Merlin 149mm x 12mm Brake Disc	\$144.95
5	MRC.30DA195T	Merlin 195mm x 18mm Brake Disc/Hub Assembly 50mm	\$374.95
6	MRC.10DA195	Merlin 195mm x 18mm Brake Disc	\$214.95
7	MRC.DISC200/12C	Merlin 200mm x 12mm Floating Brake Disc/Hub Assembly 50mm	\$224.95
7	MRC.30DA200Q/B	Merlin 200mm x 12mm Fixed Brake Disc/Hub Assembly 40mm	\$189.95
8	MRC.DISC200/12	Merlin 200mm x 12mm Floating Brake Disc	\$124.95
8	MRC.20DA200	Merlin 200mm x 12mm Fixed Brake Disc	\$119.95



Brake Disc Hubs & Accessories

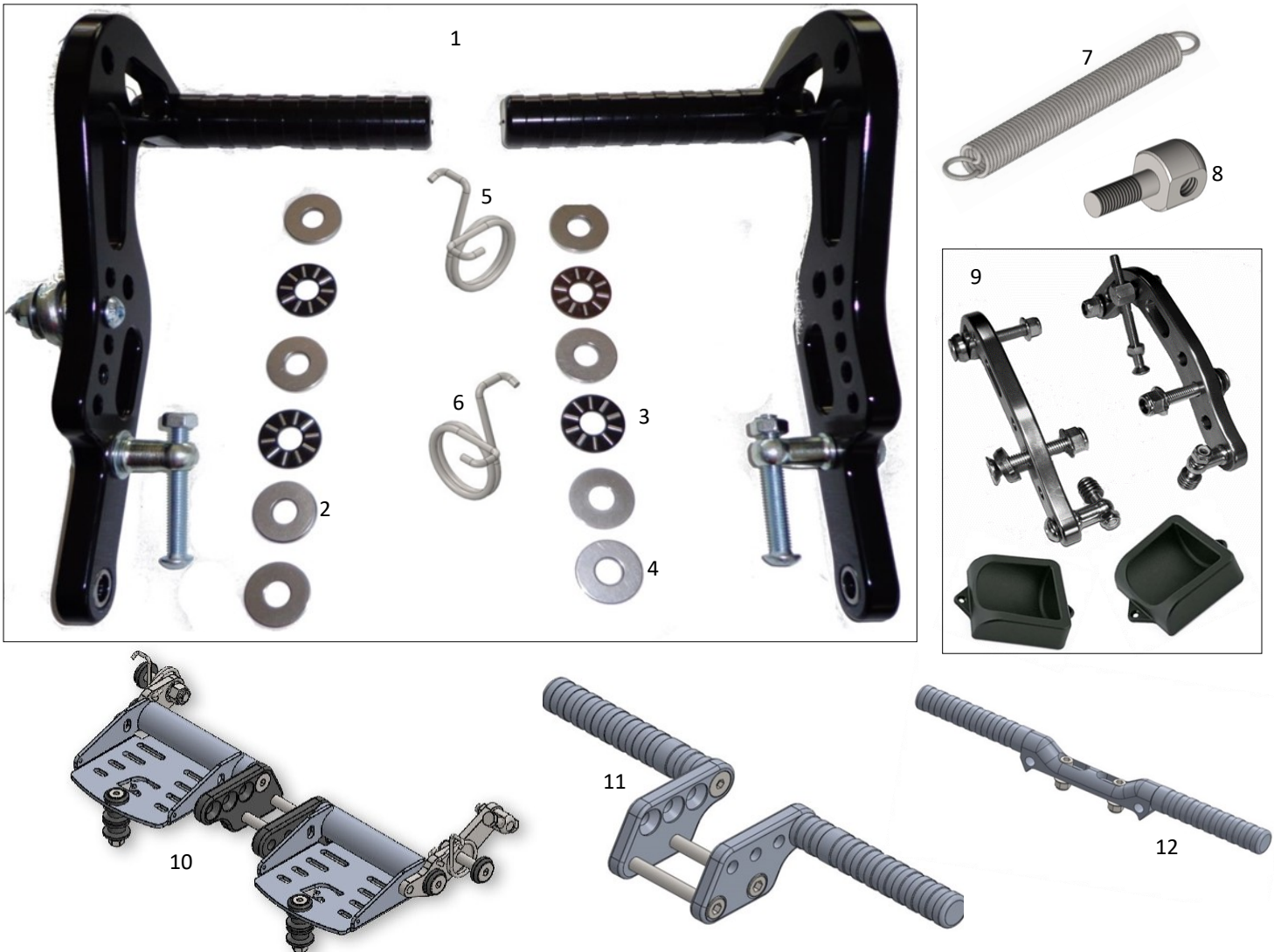
1	MRC.10BDF03	Merlin 180mm & 150mm Rear Brake Disc Bushing	\$9.83
2	MRC.10BD18	Merlin 195mm Rear Brake Disc Bushing	\$5.90
3	MRC.10BD14	Merlin 149mm Rear Brake Disc Bushing	\$5.90
4	MRC.10BDF/Z	Merlin 20mm Floating Rear Brake Disc Bushing	\$5.36
5	MRC.20RTZ09	Merlin 195mm Rear Brake Disc Bushing Spring Washer	\$2.50
5	MRC.20RTZ08	Merlin 149mm Rear Brake Disc Bushing Spring Washer	\$2.50
6	MRC.20FRMDIF	Merlin Floating Brake Disc Safety Clip	\$3.22
7	MRC.20SEG10	Merlin 149 x 12 Disc E-Clip	\$1.25
8	MRC.30PD50A	Merlin 180mm Brake Disc Hub 50mm	\$114.95
9	MRC.30PD30FFSA/B	Merlin 150mm Brake Disc Hub 30mm	\$68.45
10	MRC.10SPPFR02	Merlin 150mm Brake Disc Floating Adapter	\$52.95
11	MRC.10SPPFR01	Merlin 180mm Brake Disc Floating Adapter	\$84.95
12	MRC.50.2571.LM	Merlin 195mm Brake Disc Hub 50mm	\$149.95
13	MRC.10.2571.50AP	Merlin 200mm Brake Disc Hub 50mm	\$74.88
13	MRC.30PD40/B	Merlin 200mm Brake Disc Hub 40mm	\$74.88
14	MRC.10.2571.MINI	Merlin 149mm Floating Brake Disc Hub 30mm	\$69.95
15	MRC.10PRDP	Merlin Nylon Brake Disc Guard	\$21.45
16	MRC.10STPDI	Merlin Nylon Disc Guard Support	\$17.33

Brake Rod Assemblies & Components



1	MRC.30AF300A	Merlin 300mm Complete Cadet Brake Rod	\$21.95
1	MRC.30AF380A	Merlin 380mm Complete Brake Rod	\$21.95
1	MRC.30AF340A	Merlin 340mm KZ Complete Brake Rod	\$21.95
2	MRC.20FRCAFS	Merlin Short Brake Rod Fork	\$9.50
3	MRC.20FRCAFL	Merlin Long Brake Rod Fork	\$9.95
4	MRC.10.1100/SN	Merlin Brake Rod End Bearing	\$16.98
5	MRC.30FSF	Merlin Brake Rod Safety Cable Assembly	\$23.95
6	MRC.30FSF01	Merlin KZ Brake Rod Safety Cable	\$14.50
7	MRC.30RPFKZ	Merlin KZ Complete Bias Adjuster Assembly	\$80.96

Pedals & Accessories



1	MRC.10.1100.KIT	Merlin Aluminum Pedal Kit Complete	\$244.95
1	MRC.10.1100/MINI	Merlin Cadet Aluminum Pedal Kit Complete	\$209.95
2	MRC.10.1100/1	Merlin Aluminum Pedal Thrust Washer 1mm	\$3.75
3	MRC.10.1100/M8	Merlin Aluminum Pedal Thrust Bearing	\$11.79
4	MRC.10.1100/2.5	Merlin Aluminum Pedal Thrust Washer 2.5mm	\$7.15
5	MRC.20MPRGM	Merlin Aluminum Throttle Pedal Return Spring	\$14.48
6	MRC.20MPRFM	Merlin Aluminum Brake Pedal Return Spring	\$14.48
7	MRC.20.1617.AP	Merlin Pedal Return Spring	\$2.50
8	MRC.20CEFP	Merlin Pedal Stop Fixing	\$7.15
9	MRC.10.1100/PPI	Merlin Pedal Extension Kit	\$139.95
10	MRC.30PDRMF	Merlin Pedal Riser Mount Kit	\$199.95
11	MRC.30FPAM/B	Merlin Aluminum Heel Rest	\$102.95
12	MRC.30FPA/B	Merlin Aluminum Heel Rest Alternative	\$109.95

Rear Wheel & Sprocket Hubs



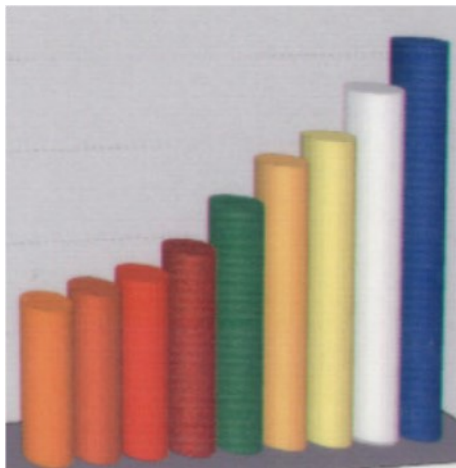
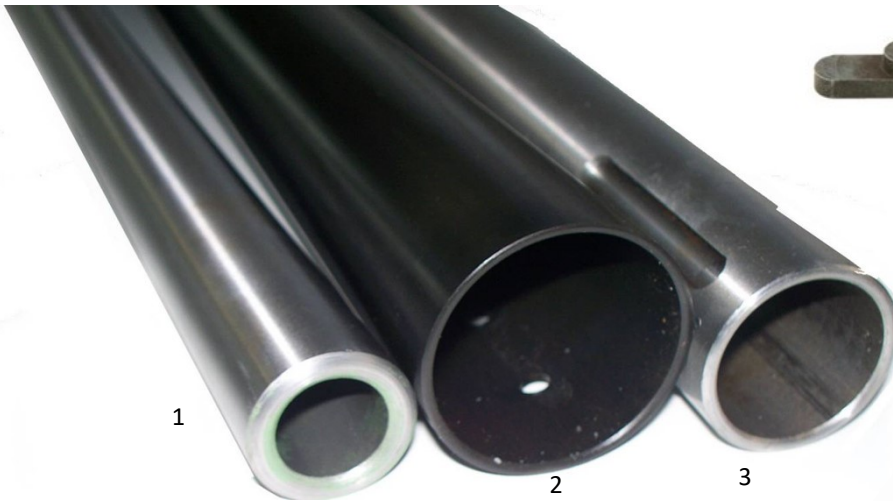
1	MRC.5700.50.AP	Merlin 50mm Aluminum Sprocket Carrier	\$82.95
1	MRC.5700MRC	Merlin 30mm Aluminum Sprocket Carrier	\$78.95
1	MRC.30PC40/B	Merlin 40mm Aluminum Sprocket Carrier	\$78.95
2	MRC.10.2571.30	Merlin 30mm Aluminum Cadet Wheel Hub	\$57.95
3	MRC.30MZ40SE/B	Merlin 40mm x 65mm Aluminum Hub	\$64.69
4	MRC.30MZ50M5/B	Merlin 50mm x 90mm Aluminum Hub	\$82.56
5	MRC.30MZ50M5G	Merlin 50mm x 92mm Magnesium Hub	\$119.95
6	MRC.30MZ50M3G	Merlin 50mm x 92mm Magnesium Full Round Hub	\$119.95
6	MRC.30MZ50M2G	Merlin 50mm x 82mm Magnesium Full Round Hub	\$119.95
6	MRC.30MZ50M1G	Merlin 50mm x 72mm Magnesium Full Round Hub	\$119.95
7	MRC.20.0113.06	Merlin 8mm x 38mm Wheel Hub Stud	\$2.68

Axle Bearings & Cassettes



1	MRC.50.2519MRC	Merlin 50mm x 80mm Axle Bearing	\$40.75
1	MRC.50.2519/90	Merlin 50mm x 80mm Axle Bearing	\$40.75
1	MRC.40.0604.00	Merlin 30mm Axle Bearing	\$40.75
1	MRC.20BR4090R5	Merlin 40mm x 90mm Axle Bearing	\$69.95
1	MRC.20BR4080R	Merlin 40mm x 80mm Axle Bearing	\$40.75
2	BEA.SKF50MMST	SKF 50mm x 80mm ConCentra Axle Bearing	\$179.95
3	MRC.40.2921.00	Merlin 8mm Grub Screw	\$3.50
3	MRC.40.1738.00	Merlin 6mm Grub Screw	\$3.25
4	MRC.GHIE30.AP	Merlin Aluminum Cadet Axle Bearing Cassette	\$89.95
5	MRC.30GS45UM	Merlin Magnesium Engine Side 50mm Bearing Cassette	\$144.95
6	MRC.30GS45UMF	Merlin Magnesium Brake Side 50mm Bearing Cassette	\$154.95
7	MRC.GHIE.AP	Merlin Aluminum 50 x 90 Bearing Cassette Pre 2019	\$124.95
8	MRC.GHIE.AP/M	Merlin Magnesium 50 x 80 Bearing Cassette Pre 2019	\$149.95
9	MRC.30GS45/B	Merlin Aluminum 4 Cycle 40 x 80 Bearing Cassette	\$39.95

Axles & Axle Keys

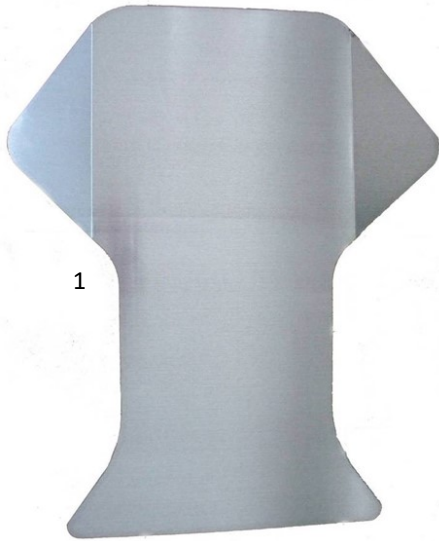


Soft → Hard

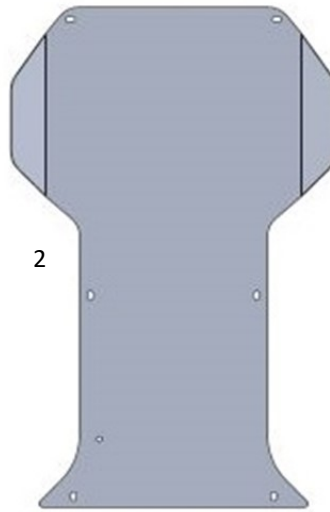
30mm Available Axles: Red / Green
 40mm Available Axles: Red / Green / Yellow
 50mm Available Axles: Orange / Red / Brown / Green / Gold / Yellow / White / Blue

1	MRC.20.3555.06	Merlin 30mm x 5mm Axle	\$134.95
1	MRC.10AX30FB	Merlin 30mm x 2mm Thin Wall Axle	\$149.95
2	MRC.50.3478.06	Merlin 50mm Axle	\$189.95
2	MRC.50.3478.06R	Merlin 50mm Axle—KZ Reinforced	\$194.95
3	MRC.20.3478.06	Merlin 40mm Axle	\$149.95
4	MRC.20.4549.08	Merlin 2 x 8mm Peg 50mm Axle Key	\$8.95
4	MRC.20.4549.06	Merlin 2 x 6mm Peg 50mm Axle Key	\$8.95
5	MRC.20.1872.06	Merlin 8 x 4.5 x 60 40mm Axle Key	\$6.75
6	MRC.20.1872.06	Merlin 6 x 6 x 60 30mm Axle Key	\$2.95
7	MRC.10KY86604	Merlin 3 x 6mm Peg 30mm Axle Key	\$8.95
8	MRC.20.4549/3	Merlin 3 x 8mm Peg 50mm Axle Key	\$8.95

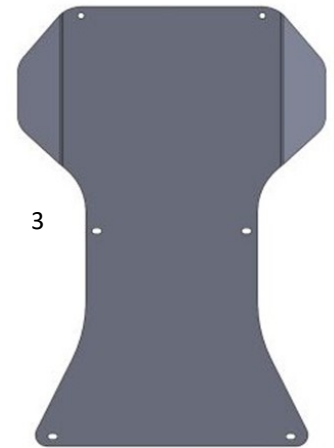
Floor Trays & Accessories



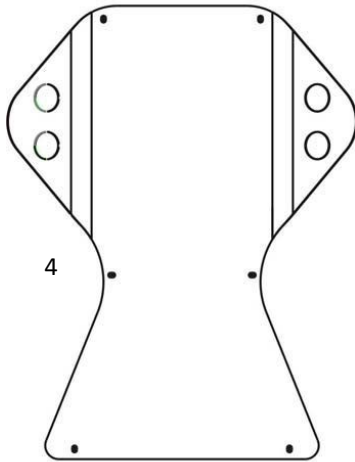
1



2



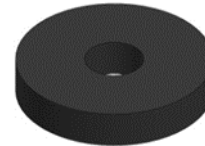
3



4



5



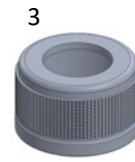
6



7

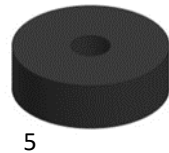
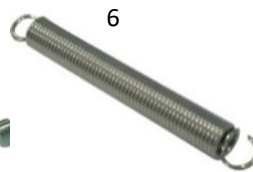
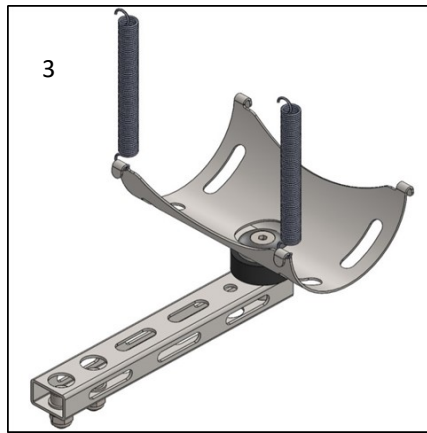
1	MRC.20.2565.LM/B	Merlin Black LM30 Aluminum Floor Tray	\$129.95
2	MRC.20FLMRC29	Merlin Black MR29 Aluminum Floor Tray	\$129.95
3	MRC.20FLMKFFSA/B	Merlin Black Cadet Aluminum Floor Tray	\$123.95
4	MRC.20FLMC	Merlin MR32GEO 4 Cycle Floor Tray	\$89.95
5	MRC.20.2565.STICK	Merlin Floor Tray Graphic	\$32.95
6	MRC.4X22X6	Merlin 6mm Rubber Floor Tray Washer	\$0.71
7	MRC.RON6MRC	Merlin 6mm Conical Washer	\$2.14

Fuel Tanks & Accessories



1	MRC.10.1417.AP	Merlin 9 Liter 100cc Fuel Tank	\$64.95
1	MRC.10.1417.AP125	Merlin 9 Liter 125cc Fuel Tank	\$72.95
2	MRC.40.2005.AP	Merlin 9 Liter Fuel Tank Cap	\$9.11
3	MRC.20TSBFA	Merlin Aluminum Fuel Tank Fitting Cap	\$5.50
4	MRC.10SAPB/B	Merlin 9 Liter Fuel Tank Aluminum Mount Spacer	\$8.40
5	MRC.10YXPB	Merlin Fuel Tank Drop Line Weight	\$6.79
6	MRC.10YXPA	Merlin Fuel Tank Vent Fitting	\$6.79
7	MRC.10YXPS	Merlin Floor Tray Graphic	\$6.79
8	MRC.AC.1012/M	Merlin 3.5 Liter Cadet Fuel Tank	\$59.95
9	MRC.20ATXI	Merlin 3.5 Liter Fuel Tank Clamping Kit	\$14.30
10	MRC.RC.111	Merlin 3.5 Liter Fuel Tank Cap	\$9.95
11	MRC.K186N	Merlin Fuel Tank Recovery Can	\$6.79

Exhaust Cradles & Accessories



1	MRC.20.0395.AP	Merlin Exhaust Support Kit	\$69.95
2	MRC.30SUMM	Merlin Cadet Exhaust Support Kit	\$44.95
3	MRC.30SUM05	Merlin KZ Exhaust Support	\$81.95
4	MRC.20.0395.00	Merlin Bare Exhaust Cradle	\$13.05
5	MRC.10RGM10	Merlin Exhaust Cradle Grommet	\$2.32
6	MRC.20.0223.06	Merlin Exhaust Cradle Spring	\$3.40
7	MRC.20.1612.LMP	Merlin Aluminum Exhaust Support Post	\$22.34
8	MRC.20.1612.MINI	Merlin Cadet Exhaust Support "L" Post	\$28.95
9	MRC.20.1612.LM	Merlin Aluminum "L" Exhaust Support	\$38.95
10	MRC.20SUM04/BR	Merlin Steel "L" Exhaust Support	\$18.95

Engine Mounts



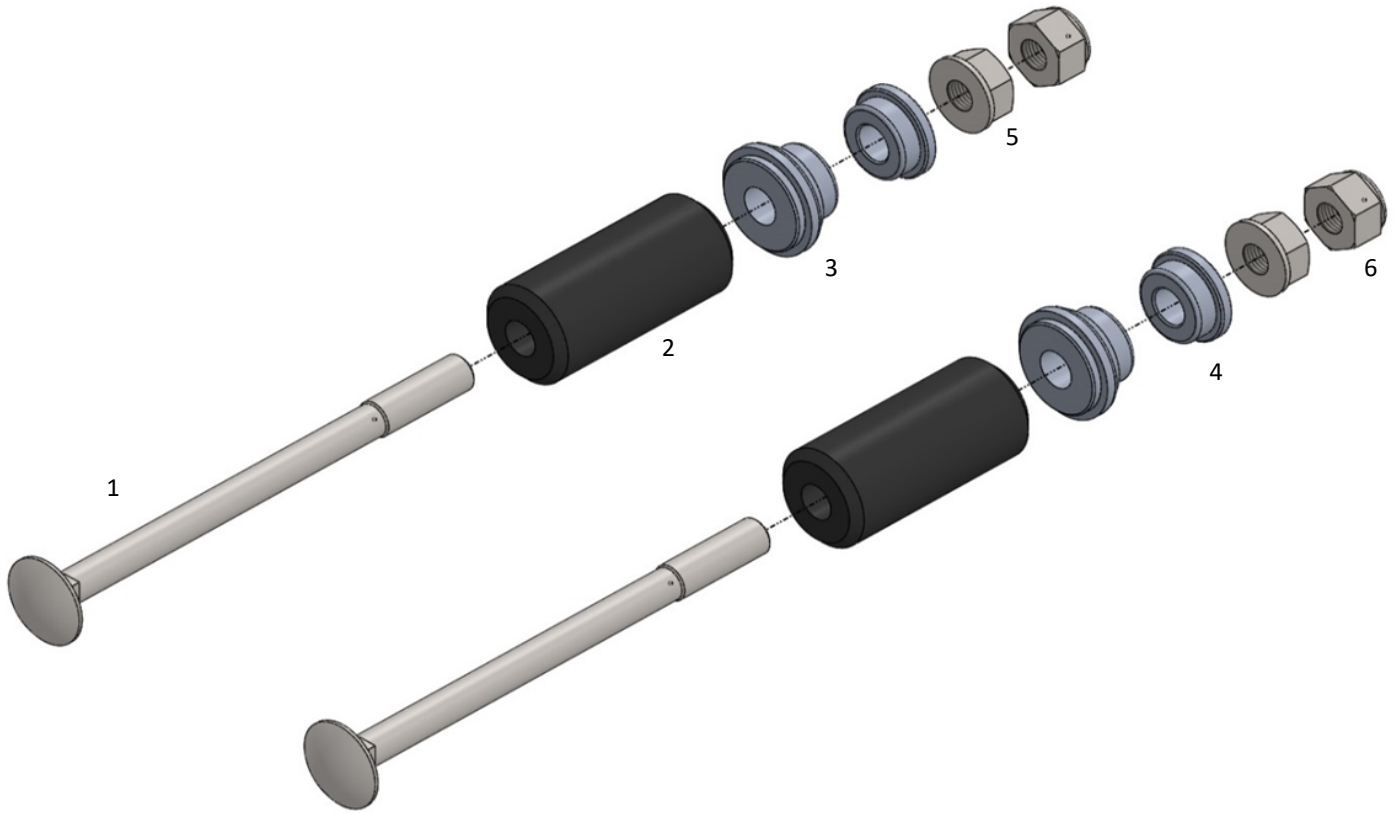
1



4

1	DRI-M-MAG-3092	Driveline Magnesium UNI Engine Mount	\$124.95
2	DRI-M-E3230	Driveline Euro Engine Mount Clamp	\$12.50
3	HAR-HSCS-10x40	Driveline Engine Clamp Bolt 10mm x 40mm	\$0.95
4	MRC.30FMUA	Merlin Complete Aluminum Engine Lock	\$60.95

Rear Bumper Mounting Hardware



1	MRC.10.140	Merlin 10 x 140 Rear Bumper Fixing Bolt	\$3.75
2	MRC.20.0332.20	Merlin 30mm Rubber Bumper Bushing	\$3.95
2	MRC.20.1094.20	Merlin 28mm Rubber Bumper Bushing	\$3.95
3	MRC.20.3406MRC	Merlin Aluminum Rear Bumper Inner Spacer 30mm	\$6.95
3	MRC.20.3406MRC28	Merlin Aluminum Rear Bumper Inner Spacer 28mm	\$6.95
4	MRC.20.3405MRC	Merlin Aluminum Outer Rear Bumper Bushing	\$4.75
5	HAR-N10	10mm Nut	\$0.30
6	HAR-NLN10	10mm Ny-Loc Nut	\$0.45

Seats & Accessories



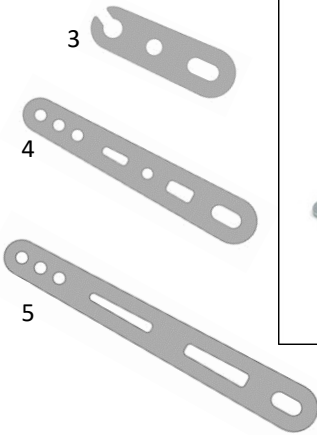
Available Lengths in
mm: 225 / 240 / 260 /
275 / 300 / 315 /
335 / 355 / 375 / 395

1	TIL-T11-*	Tillett Standard Flex T11 Seat **Specify Size	\$208.95
1	TIL-T11t-*	Tillett "T" Flex T11 Seat **Specify Size	\$208.95
1	TIL-T11VG-*	Tillett "VG" Flex T11 Seat **Specify Size	\$254.95
1	TIL-T5t-*	Tillett "T" Flex T5 Cadet Seat **Specify Size	\$208.95
1	TIL-T5VG-*	Tillett "VG" Flex T5 Cadet Seat **Specify Size	\$254.95
2	MRC.10SPS01	Merlin Aluminum Seat Spacer 10mm	\$4.50
3	MRC.10SPS02	Merlin Aluminum Seat Spacer 20mm	\$6.95
4	MRC.10SPS03	Merlin Aluminum Seat Spacer 30mm	\$7.95
5	TIL-TW1	Tillett Aluminum Conical Seat Washer	\$1.75
6	MRC.20RA45	Merlin 8 x 45 Seat Washer	\$2.95
6	MRC.20RA60	Merlin 8 x 60 Seat Washer	\$4.95
7	DRI-SSS-***	Driveline Round Seat Strut ***Specify Size	\$20.00
8	MRC.10ORMI	Merlin Cadet Lower Seat Mount	\$9.65
9	TIL-TK1	Tillett Seat Mount Kit	\$15.75
10	TIL-TK2	Tillett Seat Mount Kit With Aluminum Supports	\$26.95
	TIL-TK1LP	Tillett Low Profile Seat Mount Kit (Not Pictured)	\$86.95
11	TIL-TW3	Tillett 2mm Thick x 40mm Nylon Seat Spacer	\$0.65
11	TIL-TW4	Tillett 4mm Thick x 40mm Nylon Seat Spacer	\$1.15
11	TIL-TW5	Tillett 2mm Thick x 51mm Nylon Seat Spacer	\$0.65
11	TIL-TW6	Tillett 5mm Thick x 51mm Nylon Seat Spacer	\$1.15
11	TIL-TW7	Tillett 10mm Thick x 40mm Nylon Seat Spacer	\$1.75
11	TIL-TW8	Tillett 10mm Thick x 51mm Nylon Seat Spacer	\$1.75

Chain Guards & Accessories



1



6

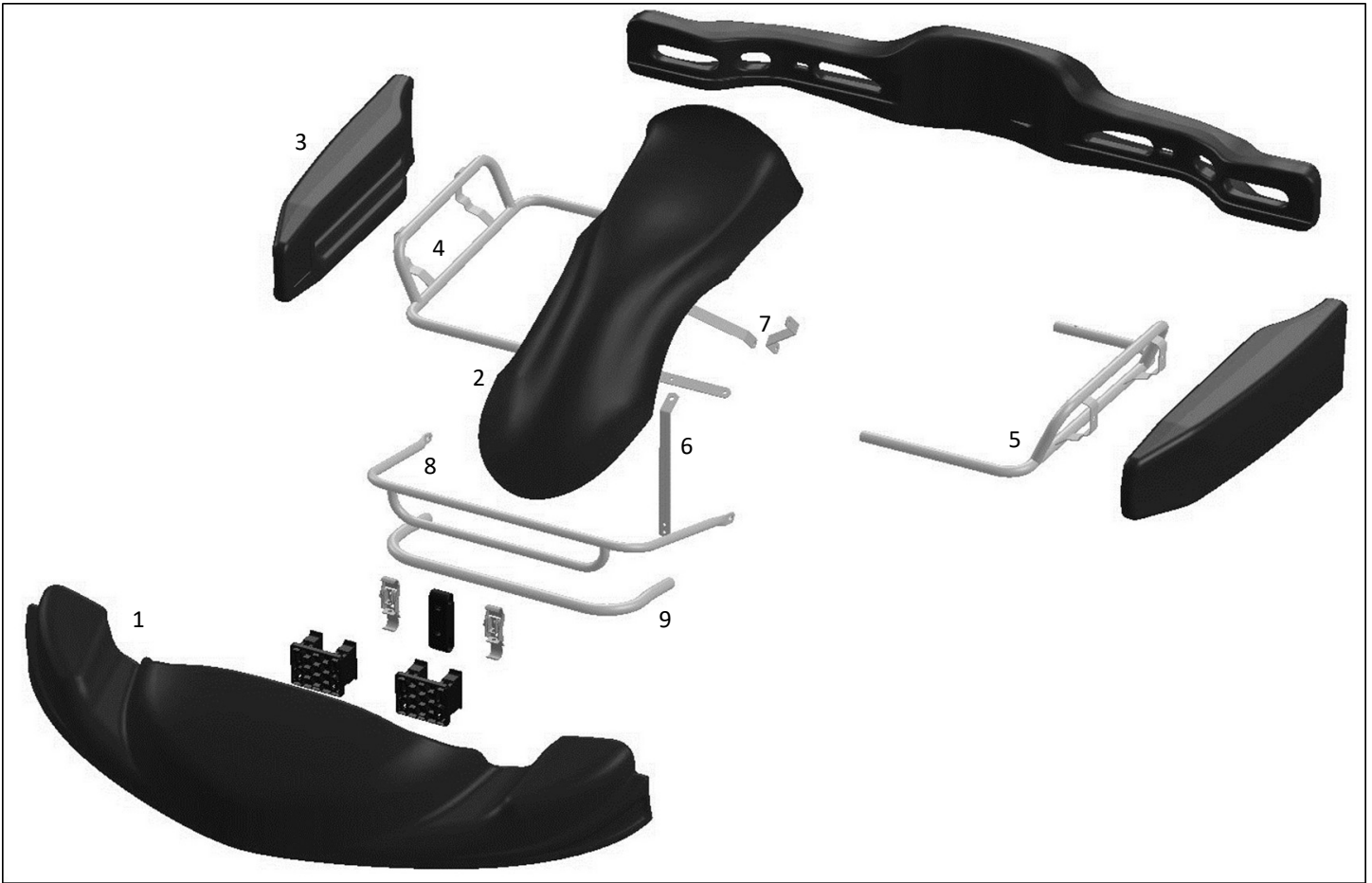
1	MRC.30PCIB2	Merlin Complete Chain Cover Kit	\$81.95
2	MRC.20PCIB2	Merlin Chain Cover Only	\$67.95
3	MRC.10SGS	Merlin Short Bracket For Chain Cover	\$7.33
4	MRC.10SGM	Merlin Medium Bracket For Chain Cover	\$10.19
5	MRC.10SGL	Merlin Long Bracket For Chain Cover	\$10.19
6	MRC.AC.031.NE	Merlin KZ Chain Guard Kit	\$62.95

Full Size KG Bodywork



1	KGP-SP.500.NE	KG Rear Spoiler	\$118.33
2	KGP-ATT.011	KG Rear Spoiler Mount Kit	\$79.95
3	KGP-AT.002	KG Spring Hook Bumper Clamp Set	\$49.50
4	KGP-AT.050.NE	KG Front Bumper Nylon Flange Spacer	\$15.00
5	KGP-AT.022	KG Drop Down Front Spoiler Mount Flange Kit	\$35.00
6	KGP-SA.506.NE	KG 506 Front Spoiler	\$122.76
7	KGP-FR.506.NE	KG 506 Fairing	\$55.77
8	KGP-RC.157	KG Fairing Mounting Post	\$4.00
9	KGP-RC.158	KG Fairing Mounting Clip	\$1.17
10	KGP-SUP.FR500	KG Upper Fairing Support	\$12.19
11	KGP-SUP.FR551	KG Lower Fairing Support	\$12.33
12	KGP-SUP.CR.503DX	KG Right Side 506 Nerf Bar	\$62.65
13	KGP-SUP.CR.503SX	KG Left Side 506 Nerf Bar	\$62.65
14	KGP-CR.506	KG 506 Side Pod Universal Side	\$59.52

Full Size Dynamica Bodywork



1	MRC.20SPED/B	Dynamica Front Spoiler	\$119.95
2	MRC.20QED/B	Dynamica Fairing	\$59.95
3	MRC.20PNEUA	Dynamica Side Pod	\$66.50
4	MRC.10SPREA	Dynamica Right Side Pod Support	\$89.95
5	MRC.10SPLEA	Dynamica Left Side Pod Support	\$89.95
6	MRC.20SQEL3	Merlin Fairing Lower Support	\$13.05
7	MRC.20SQEL4	Merlin Fairing Upper Support	\$14.12
8	MRC.10ZFHA	Merlin LM30 Upper Front Spoiler Support	\$74.95
8	MRC.MRC.028/C	Merlin MR29 Upper Front Spoiler Support	\$54.95
9	MRC.10ZFL10	Merlin Lower Front Spoiler Support	\$58.95

Cadet AP MINI Bodywork



1	MRC.20SPMKW/B	MINI Front Spoiler	\$96.15
2	MRC.20PNMKW/B	MINI Side Pod Universal	\$55.76
3	MRC.20.QMKW/B	MINI Fairing	\$64.16
4	MRC.10SPLMK1	MINI Right Side Pod Support	\$42.95
5	MRC.10SPRMK1	MINI Left Side Pod Support	\$42.95
6	MRC.10.ZFMBK	MINI Upper Front Spoiler Support	\$34.85
7	MRC.10.ZFMBK2	MINI Lower Front Spoiler Support	\$22.87
8	MRC.20SPPM/B	MINI Rear Spoiler	\$129.95

Cadet KG MK14 Bodywork



1	KGP-SP.002.NE	KG Tris Adjustable Rear Spoiler	\$149.95
2	KGP-ATT.011	KG Rear Spoiler Mount Kit	\$79.95
3	KGP-AT.002	KG Spring Hook Bumper Clamp Set	\$49.50
4	KGP-AT.050.NE	KG Front Bumper Nylon Flange Spacer	\$15.00
5	KGP-AT.022	KG Drop Down Front Spoiler Mount Flange Kit	\$35.00
6	KGP-SA.003.NE	KG MK14 Front Spoiler	\$89.95
7	KGP-FR.004.NE	KG MK14 Fairing	\$43.95
8	KGP-RC.157	KG Fairing Mounting Post	\$4.00
9	KGP-RC.158	KG Fairing Mounting Clip	\$1.17
10	KGP-SUP.FR500	KG Upper Fairing Support	\$12.19
11	KGP-SUP.FR551	KG Lower Fairing Support	\$12.33
12	KGP-SUP.CR.005.DX	KG Right Side MK14 Side Pod Support	\$56.95
13	KGP-SUP.CR.005.SX	KG Left Side MK14 Side Pod Support	\$56.95
14	KGP-CR.005/DX.NE	KG Right MK14 Side Pod	\$51.95
15	KGP-CR.005/SX.NE	KG Left MK14 Side Pod	\$51.95
16	MRC.10.ZFMBK	MINI Upper Front Spoiler Support	\$34.85
17	MRC.10.ZFMBK2	MINI Lower Front Spoiler Support	\$22.87

Wheels

1



2



3



1	DOU-MB5-130SE2	Douglas Magnesium SE Wheel Pair (2) 130mm	\$134.75
1	DOU-MB5-132SE2	Douglas Magnesium SE Wheel Pair (2) 132mm	\$134.75
2	DOU-MB5-210SE2	Douglas Magnesium SE Wheel Pair (2) 210mm	\$153.95
2	DOU-MB5-212SE2	Douglas Magnesium SE Wheel Pair (2) 212mm	\$153.95
3	DOU-AC5-130DSMX2	Douglas Aluminum 130mm Front Wheel W/ Brgs (2)	\$110.00
3	DOU-AC5-180X2	Douglas Aluminum 180mm Rear Wheel Pair (2)	\$110.00
3	DOU-AC5-120X2	Douglas Aluminum Wheel Hub Mount 120mm Pair (2)	\$99.00
	DRI-MW-KD1164	Driveline Low Volume Gold Mag Wheel 130mm	\$89.95
	DRI-MW-KD1194	Driveline Low Volume Gold Mag Wheel 210mm	\$102.95
	AMV.A06.770	AMV Gold Mag Wheel Set 130/212	\$549.95
	DRI-MW-KD0986	Driveline EVO Bead Lock Screw W/ O-Ring	\$2.50