



# Tillotson HW-38A

<i>Part</i>	<b>Carburettor</b>
<i>Manufacturer</i>	<b>Tillotson Limited</b>
<i>Make</i>	<b>Tillotson</b>
<i>Model</i>	<b>HW-38A</b>
<i>Throttle Bore</i>	<b>28mm</b>
<i>Venturi</i>	<b>24mm</b>

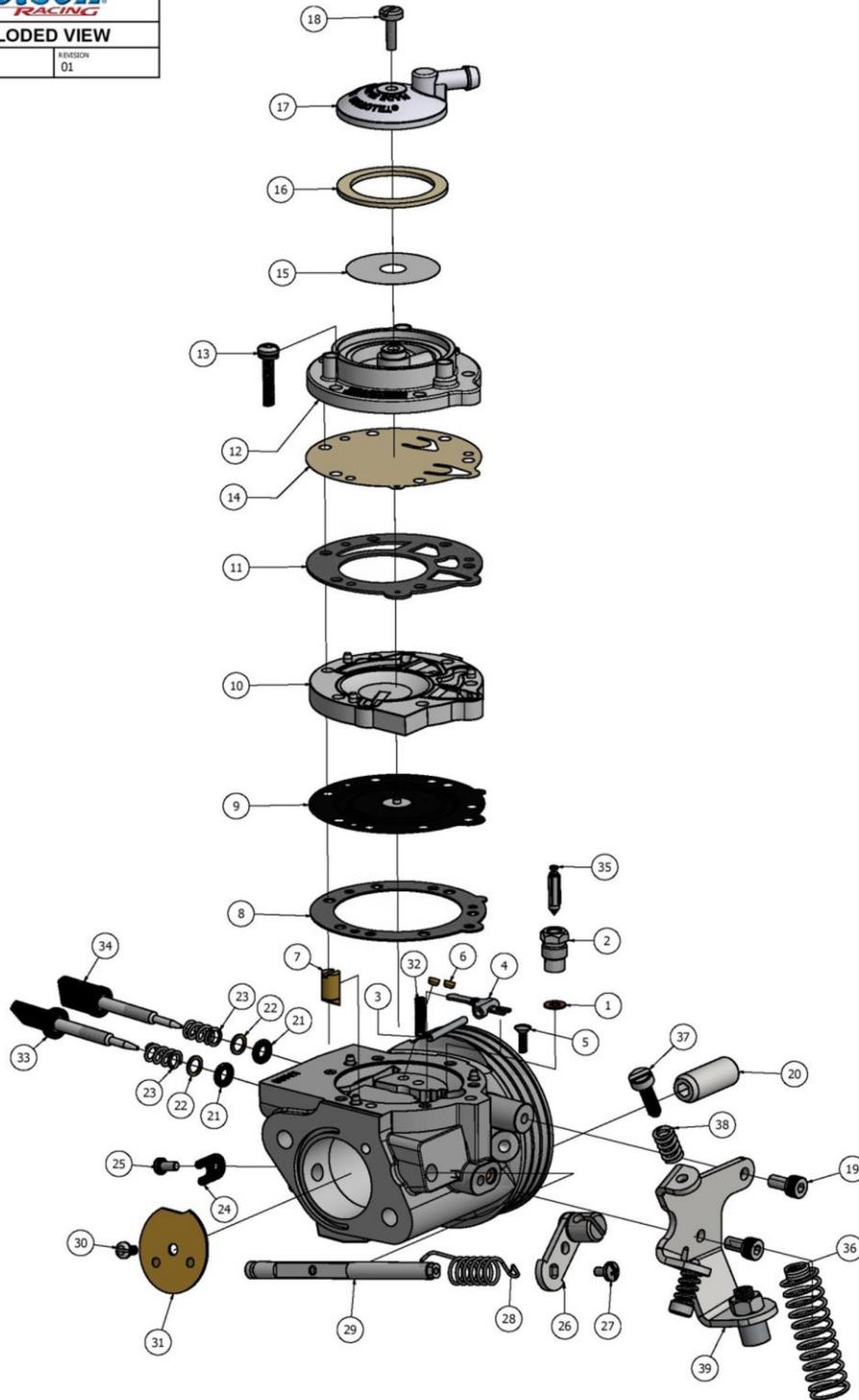


## Exploded View



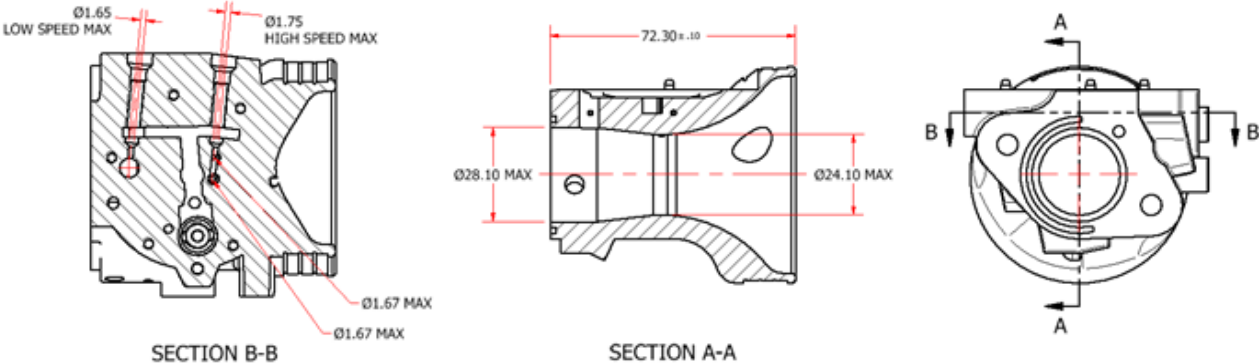
### HW-33A EXPLODED VIEW

DATE 26/10/2018	DRAWN BY P.B	REVISION 01
--------------------	-----------------	----------------

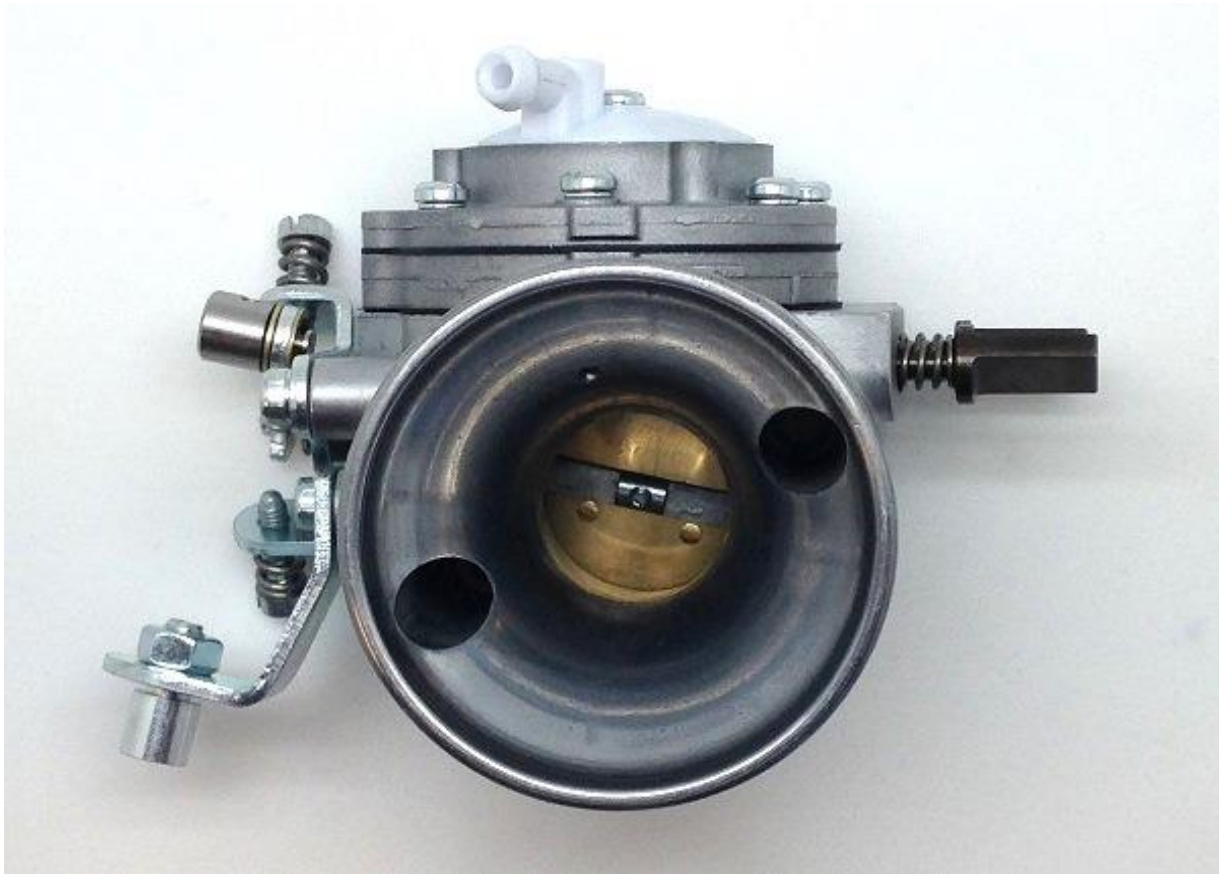


ITEM	QTY	PART NUMBER	DESCRIPTION	ITEM	QTY	PART NUMBER	DESCRIPTION	ITEM	QTY	PART NUMBER	DESCRIPTION
1	1	16-B199	** INLET SEAT GASKET	17	1	91-A251	FUEL STRAINER COVER	33	1	43-1029	8-32 UNC ADJUSTMNET SCREW ASSEMBLY
2	1	36-A42	+ INLET SEAT	18	1	15-B313	5-40 UNC SCREW	34	1	43-1030	8-32 UNC ADJUSTMNET SCREW ASSEMBLY
3	1	32-79	FULCRUM LEVER PIN	19	2	15-C67	M4 X 0.7 SOCKET CAP SCREW	35	1	34-216	+ INLET NEEDLE
4	1	155-A27	+ INLET CONTROL LEVER	20	2	81-377	CARBURETTOR MOUNTING NUT	36	1	24-C34	CABLE RETURN SPRING
5	1	15-B329	FULCRUM PIN SCREW	21	2	44-361	ADJUSTMENT SCREW O-RING	37	2	15-C9	LIMITER SCREW
6	2	80-160	BRASS PLUG	22	2	78A-256	ADJUSTMENT SCREW WASHER	38	2	24-B131	SPEED CREW SPRING
7	1	363-318	IDLE NOZZLE	23	2	24-B449	ADJUSTMENT SCREW SPRING	39	1	136-A55	CABLE BRACKET
8	1	16-B217	** DIAPHRAGM GASKET	24	1	29-224	THROTTLE SHAFT CLIP				
9	1	237-600	** DIAPHRAGM ASSEMBLY	25	1	15-C19	4-40 UNC SCREW			*	REPAIR KIT CONTENTS
10	1	91-A275	FUEL PUMP BODY	26	1	12-1220	THROTTLE LEVER ASSEMBLY			+	DIAPHRAGM & GASKET KIT CONTENTS
11	1	16-B392	** FUEL PUMP GASKET	27	1	15-C52	4-40 UNC SCREW				
12	1	141-89	FUEL PUMP BODY	28	1	24-B381	THROTTLE RETURN SPRING			RK-6HW	REPAIR KIT
13	6	15-C51	6 - 32 UNC SCREW WITH LOCK WASHER	29	1	13-B216	THROTTLE SHAFT			DG-3HW	DIAPHRAGM & GASKET KIT
14	1	237-162	** FUEL PUMP DIAPHRAGM	30	1	15-C20	4-40 UNC SCREW			233-721P	INLET NEEDLE & SEAT SET
15	1	95 - 170	FUEL STRAINER SCREEN	31	1	14-A118	THROTTLE SHUTTER				
16	1	16-B205	** FUEL STRAINER COVER GASKET	32	1	24-B299	INLET TENSION SPRING 37g				

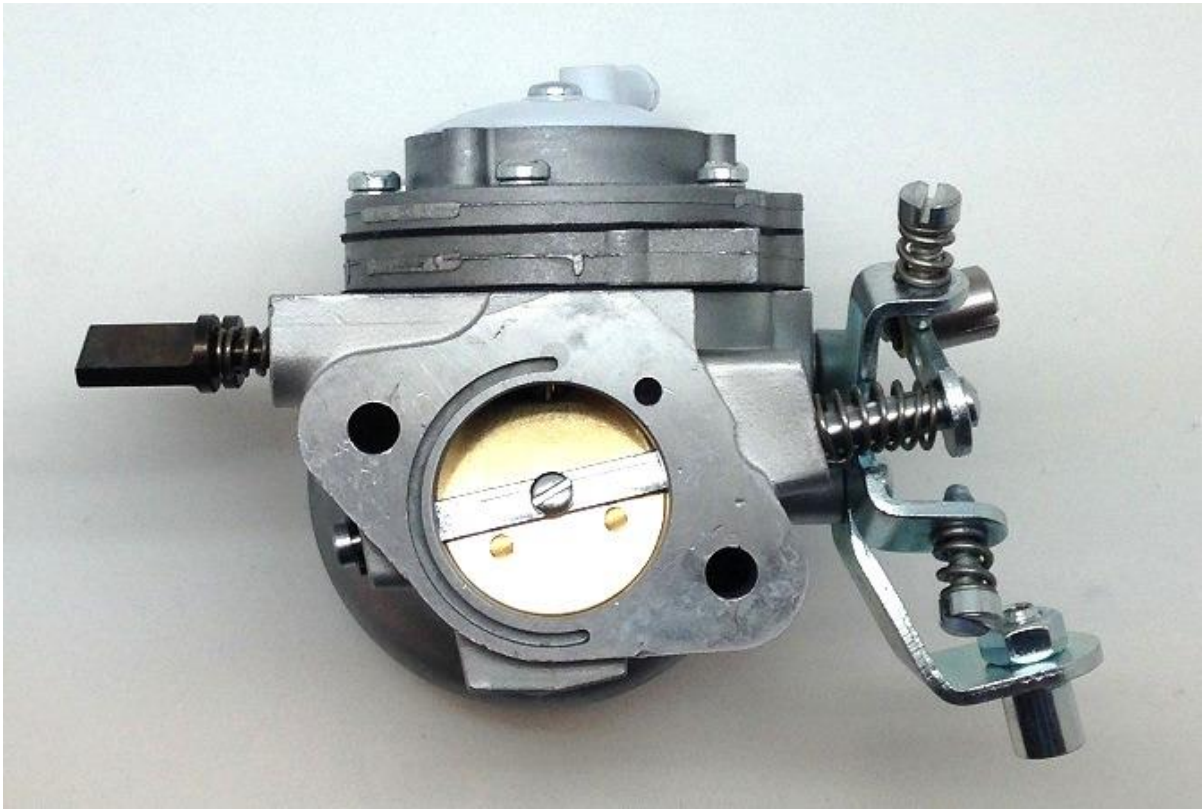
Section View



Air Intake Side View



**Engine Side View**



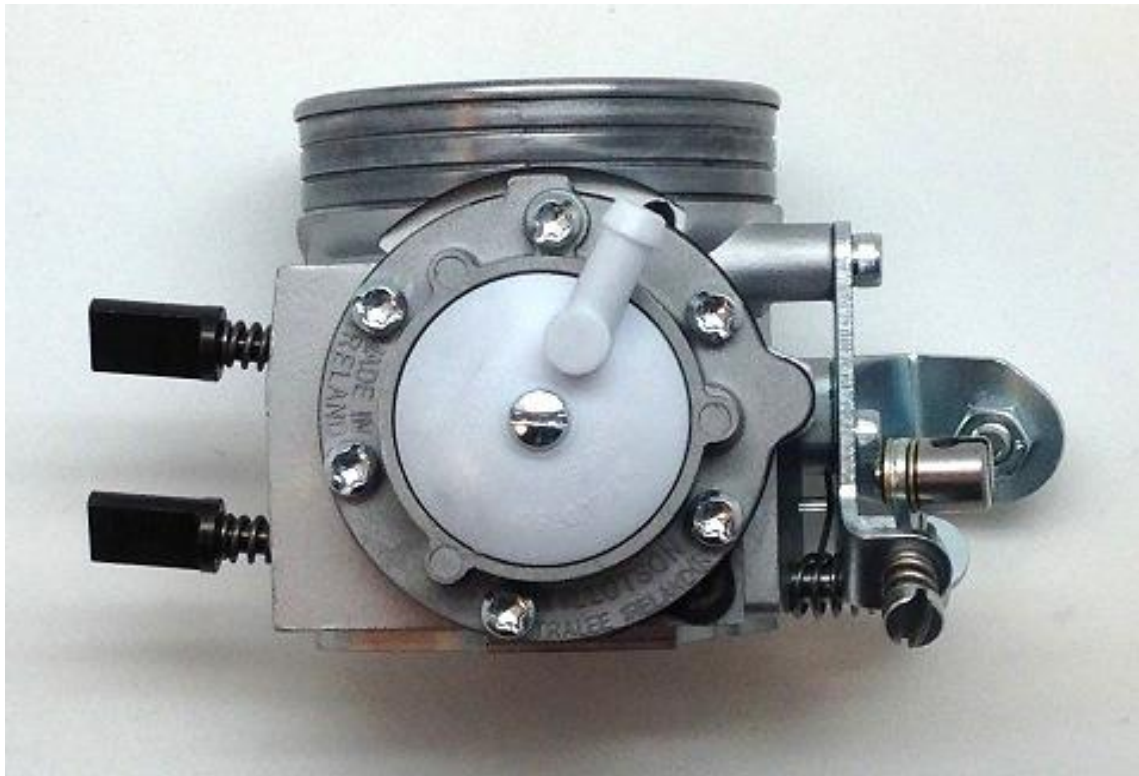
**Throttle Lever Side View**



**Adjustment Screw Side View**



**Top View**



Bottom View

