

Manufacturer Address
 Maxter S.r.l.
 Via Mantova 4 D/E
 25017- Lonato (BS) - Italy



Manufacturer	MAXTER S.R.L.
Make	Maxter
Model	Sonik TX1
Inlet type	Reed valve
Number of pages	7

PICTURE OF ENGINE

(insert picture of front/left here)

(insert picture of back/right here)



Signature and Stamp

Signature and Stamp	
---------------------	--

Importer

--



TECHNICAL INFORMATION

A	CHARACTERISTICS	
	Measurement	Tolerances
Volume of cylinder	125cc	Max
Original bore	53.90mm	
Theoretical maximum bore	54.04mm	
Stroke	54.48mm	+/-0.20mm
Cooling system	Water	
Number of carburation systems	1	
Number of transfer ports / ducts, cylinder / sump	5/3	
Number of exhaust ports / ducts	3	
Shape of the combustion chamber	Spherical	
Length between axes of the connecting rod	104mm	+/-0.50mm
Minimum weight of connecting rod	97gr	Min
Volume of combustion chamber	9cc	Min
Type of bearings	High rev type with plastic cage	

B	OPENING ANGLES	
Exhaust	180°	Max

C	LIST OF ACCESSORIES INCLUDED	
<i>(List accessories as shown below)</i>	<i>Membrane carburettor Ø24 or Carburettor Ø30 DELL'ORTO VHSH30</i>	
<i>Centrifugal clutch</i>		
<i>Battery</i>		
<i>Electric starter</i>		
<i>Exhaust</i>		

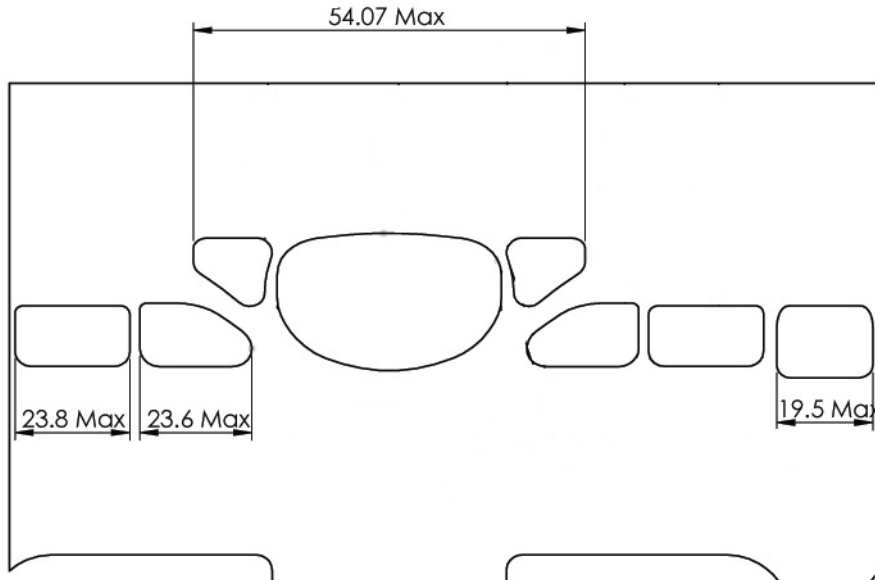
D	MATERIAL	
Cylinder	Alluminium alloy	
Connecting rod	Steel alloy	
Crankshaft	Steel alloy	
Head	Alluminium alloy	
Liner	Iron alloy	
Crankcase	Alluminium alloy	
Piston	Alluminium alloy	
Piston Ring	Iron alloy	



DRAWING OF THE CYLINDER DEVELOPMENT

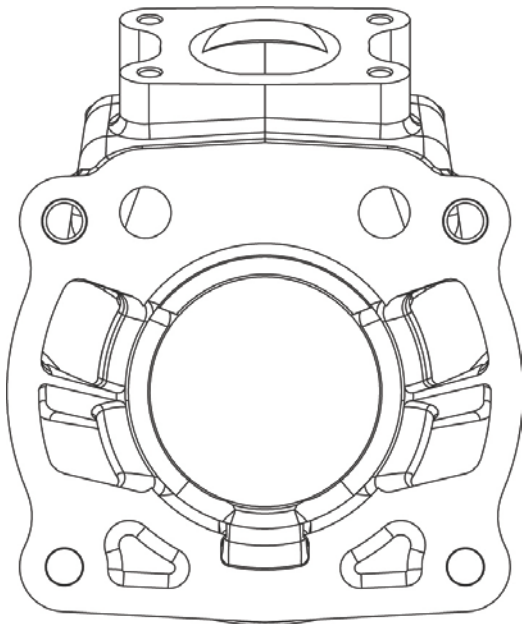
(Insert drawing here)

Angular reading by inserting a 0.2mm gauge



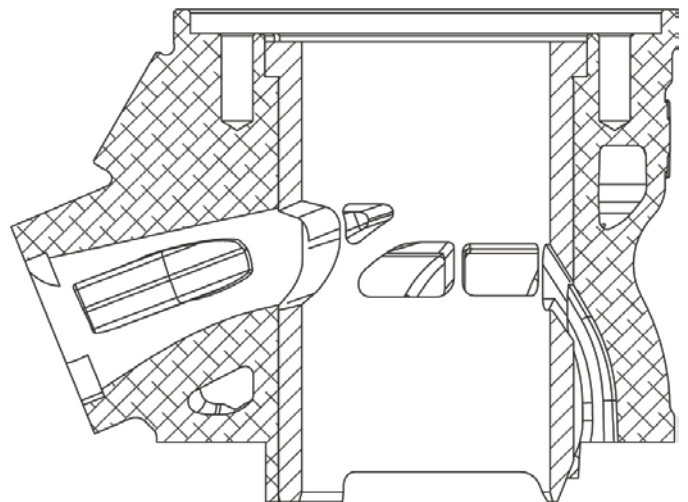
DRAWING OF THE CYLINDER BASE

(Insert drawing here)



CYLINDER SECTION VIEW

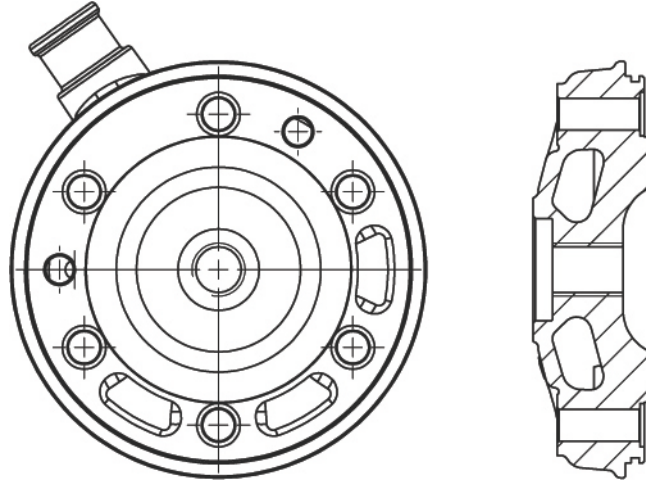
(Insert drawing here)





DRAWING OF THE CYLINDER HEAD AND THE COMBUSTION CHAMBER

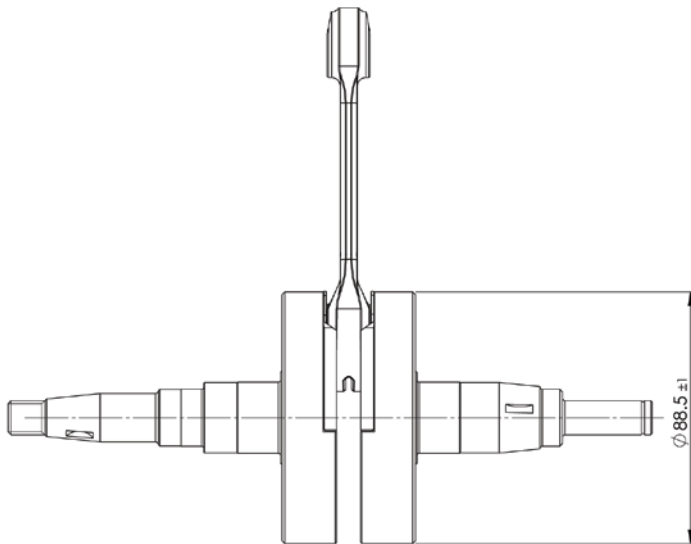
(Insert drawing here)



Combustion chamber volume = 9 c.c. minimum

DRAWING OF THE CRANKSHAFT

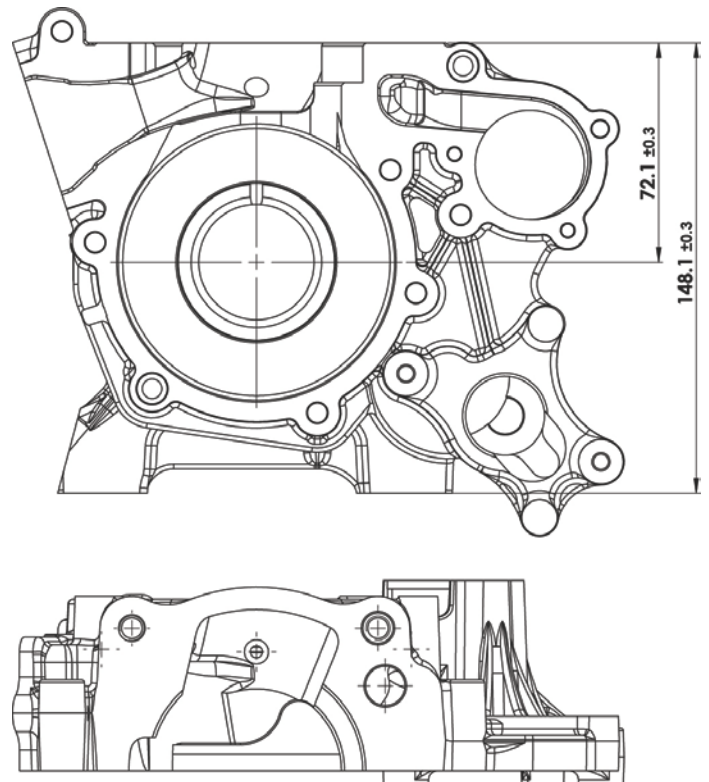
(Insert drawing here)



Complete weight = 1850gr Min

DRAWING OF THE INSIDE OF SUMP

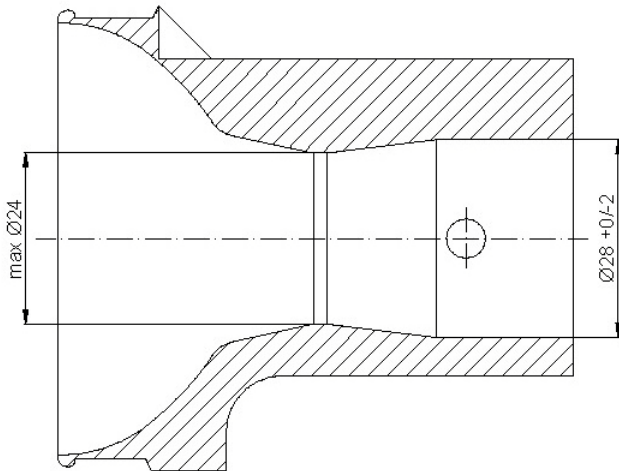
(Insert drawing here)





MEMBRANE CARBURETOR Ø24

INTERNAL SHAPE AND DIMENSIONS MUST REMAIN ORIGINAL



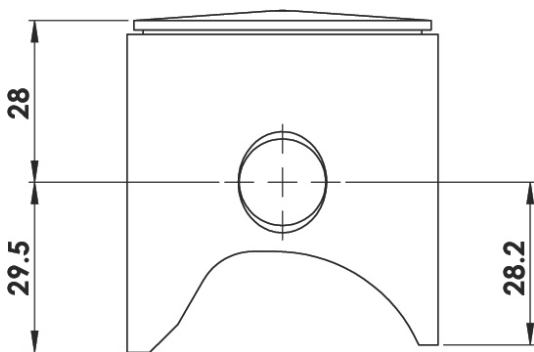
CARBURETOR DELL'ORTO VHSH 30

INTERNAL SHAPE AND DIMENSIONS MUST REMAIN ORIGINAL



PISTON

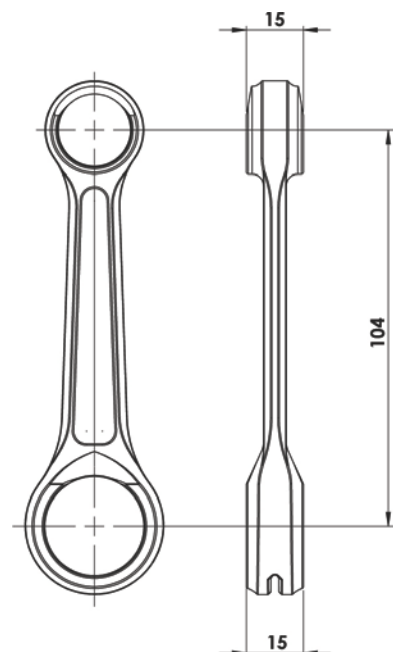
(Insert drawing here)



Weight= 93gr Min
 Dimensions tolerances= ± 1.5mm

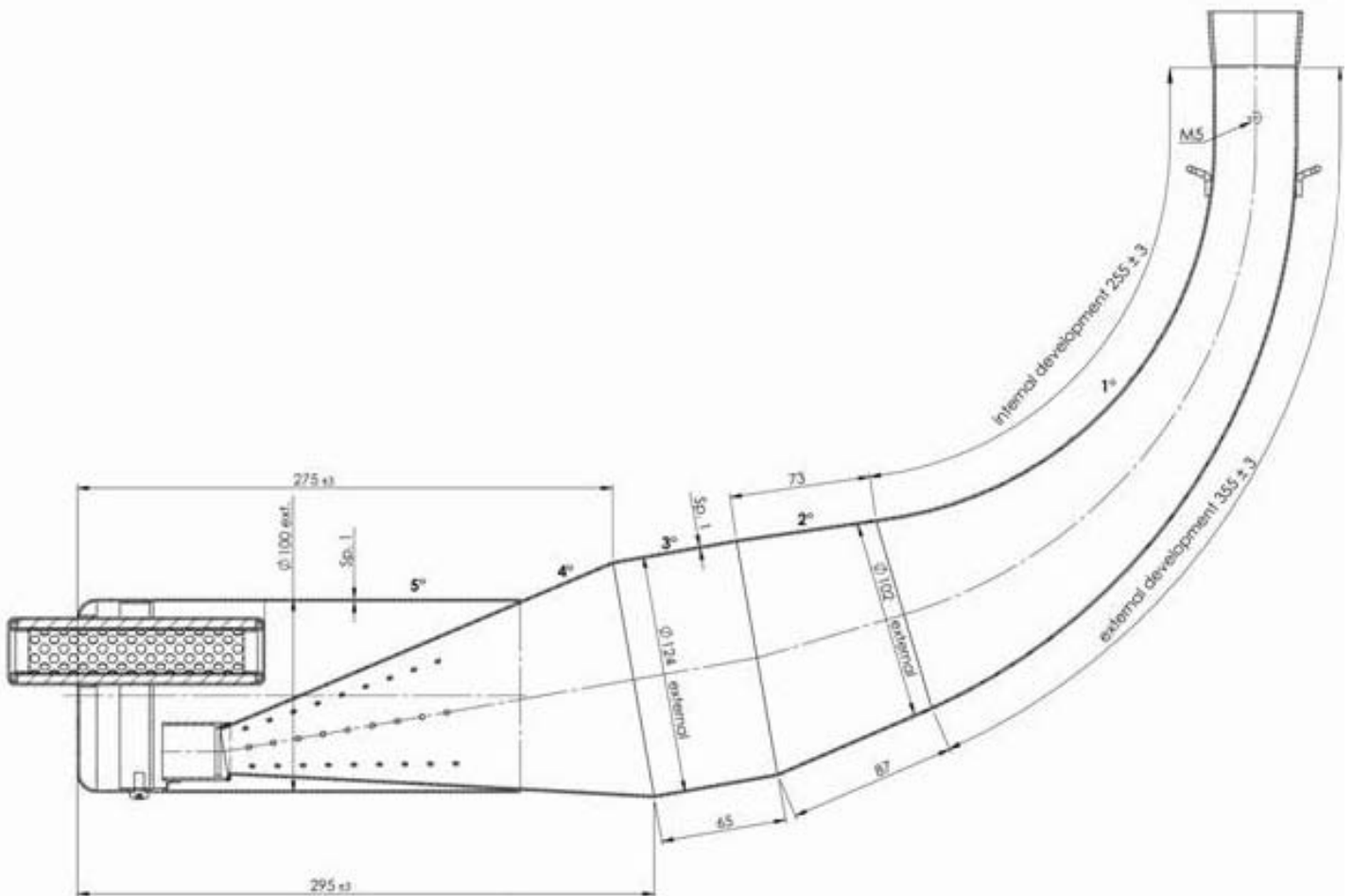
CONNECTING ROD

(Insert drawing here)



Weight= 97gr Min
 Dimensions tolerances= ± 0.5mm

DRAWING OF THE SILENCER AND IT'S COMPONENTS

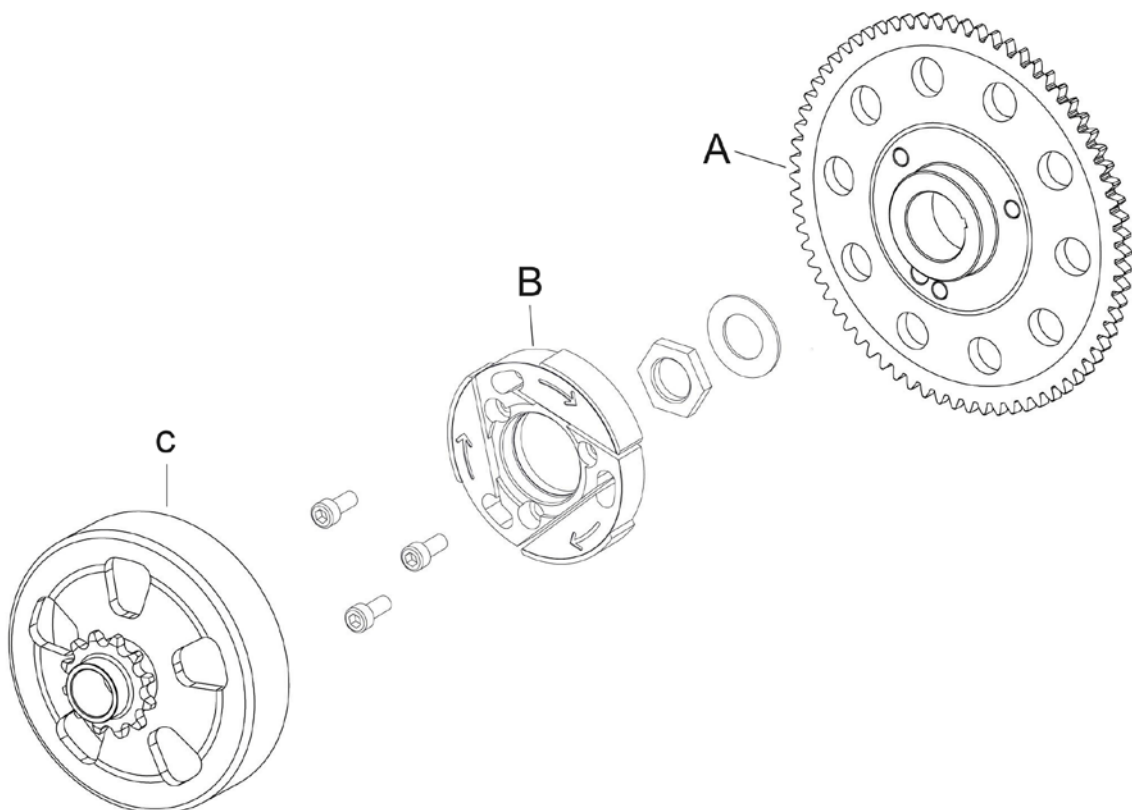
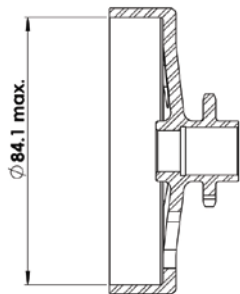
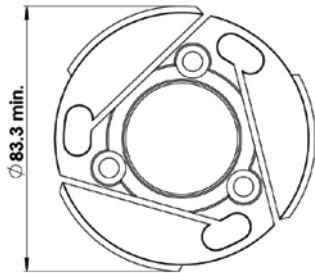


Dimensions tolerances= ± 3 mm



DRAWING OF THE CLUTCH

(Insert drawing of clutch used)



A = start wheel B = inner clutch C = clutch drum